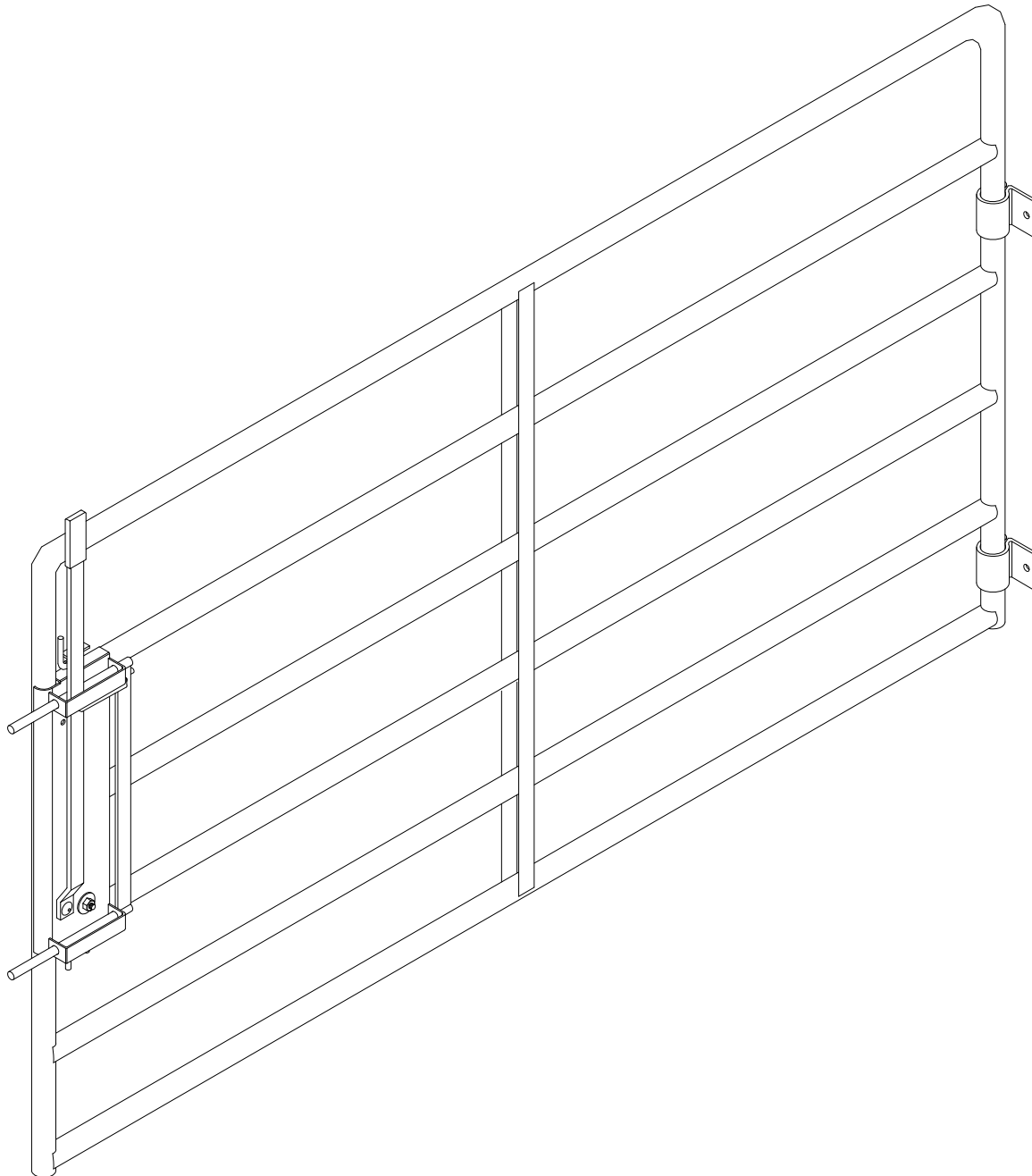


# BOLT ON LEVER LATCH

ASSEMBLY INSTRUCTIONS

#032-03230 - #032-03233 - #032-03235



# POWDER RIVER

• LIVESTOCK HANDLING EQUIPMENT •

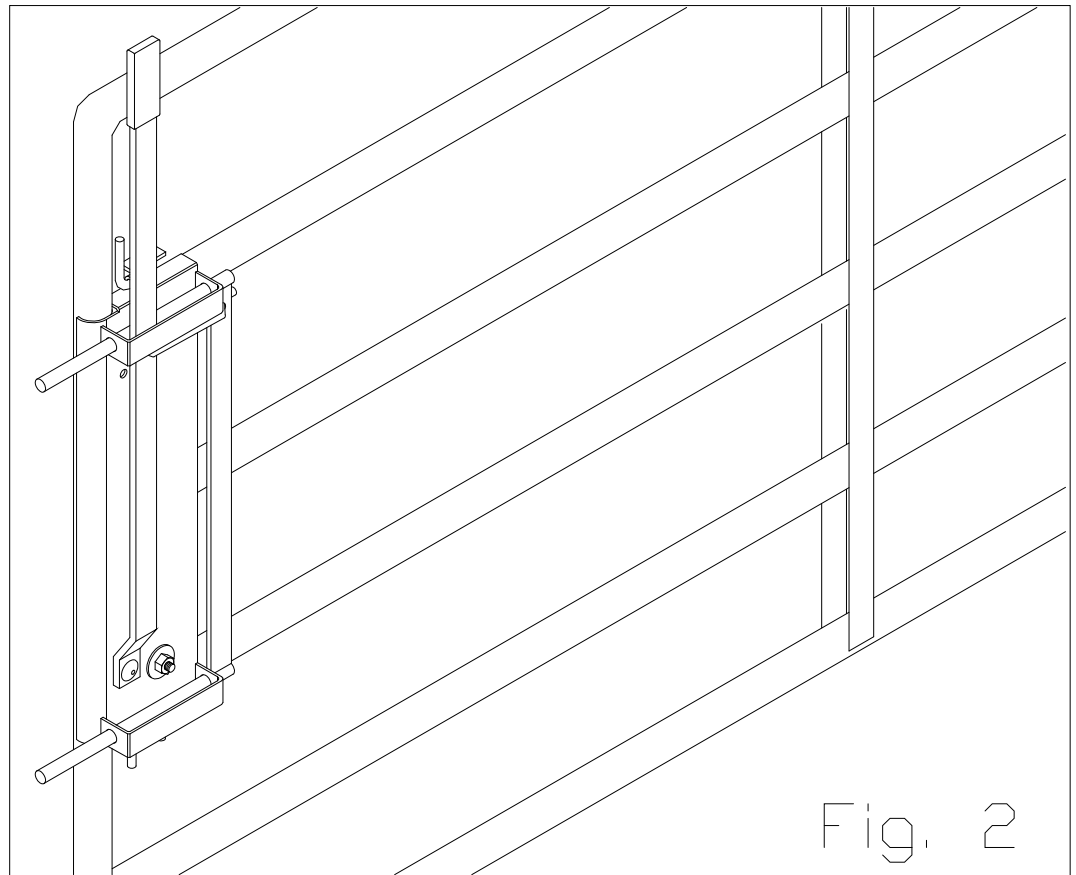
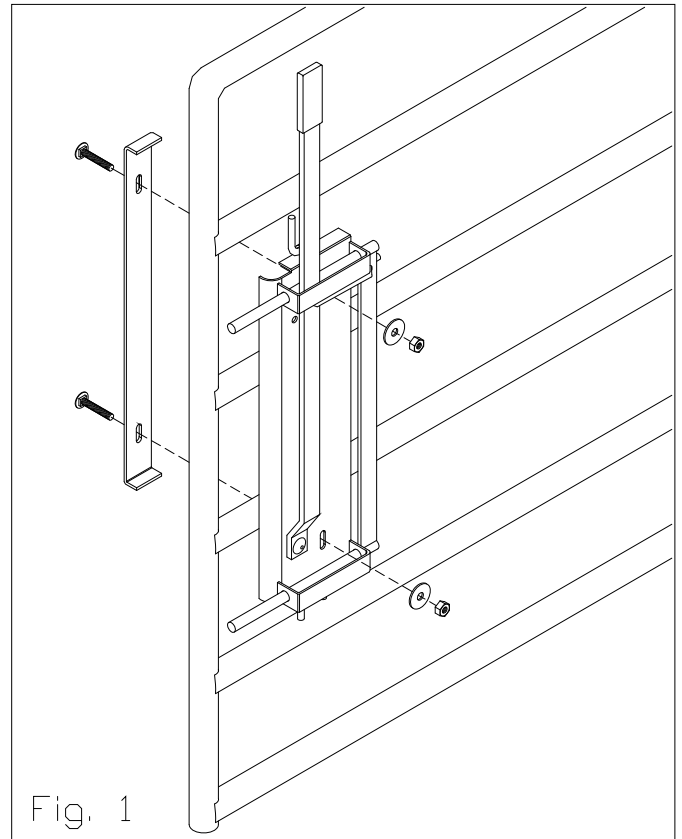
[www.powderriver.com](http://www.powderriver.com)

1-800-453-5318

*NOTE: For reversing the mounting direction of the Lever Latch see pages 3 and 4.*

**STEP 1:**

Bolt the Lever Latch to the top three rails with (2) 3/8" x 2-1/2" carriage bolts, 3/8" washers and 3/8" lock nuts as shown in figures 1 and 2.

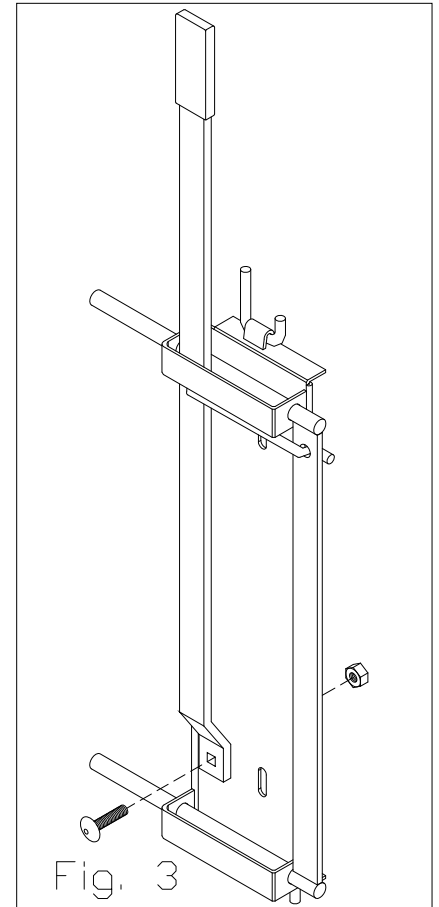


**POWDER RIVER**  
• LIVESTOCK HANDLING EQUIPMENT •

**Instructions For Reversing The Direction  
The Lever Latch Mounts**

**STEP 1:**

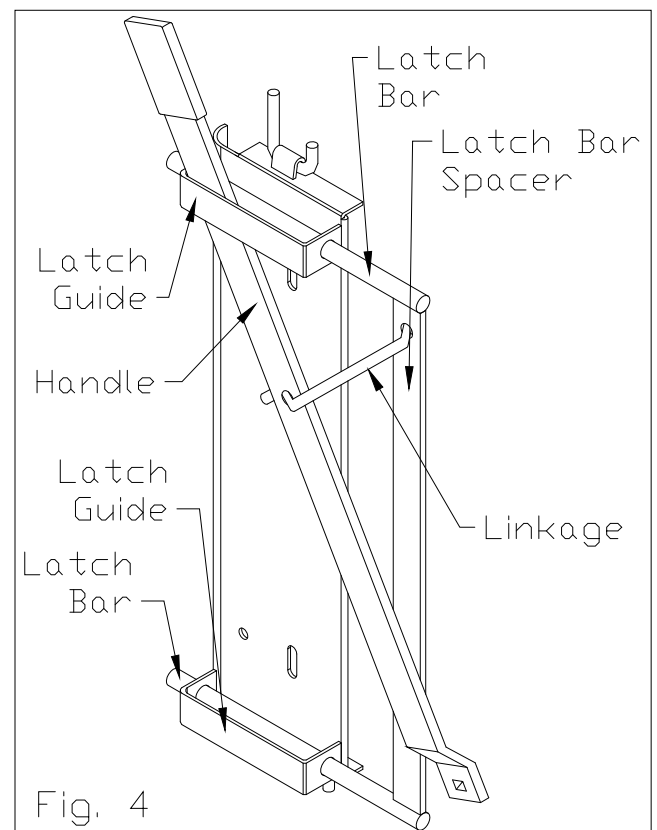
Remove the 3/8" x 1" carriage bolt, washer, and lock nut that hold the Handle in place as shown in figure 3.



**STEP 2:**

Slide the Latch Bars out of the Latch Guides and at the same time pull the Latch Handle down and out from between the Latch Guide and the Latch Bar as shown in figure 4.

With the Handle, Latch Bars, and Handle Linkage completely removed from the main frame of the Lever Latch, unhook the handle from the Linkage and the Linkage from the Latch Bar Spacer.



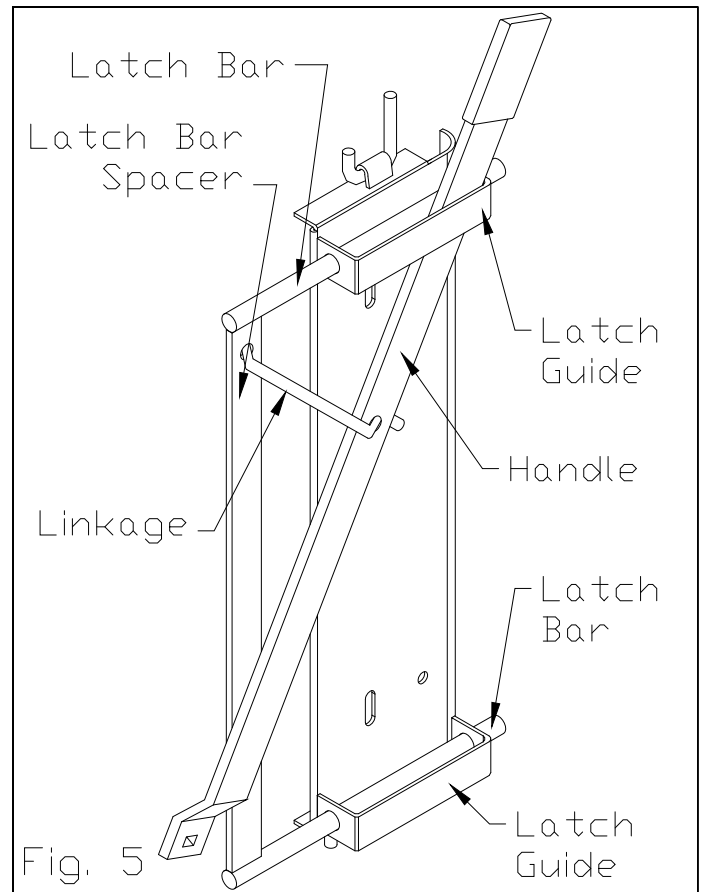
**STEP 3:**

With all the parts still separated reverse the main frame of the Lever Latch to the direction you need it to mount onto the gate.

Position the Latch Bars and Latch Bar Spacer so that the hole in the spacer is towards the top as shown in figure 5.

Connect the Linkage to the Latch Spacer as shown in figure 5. Connect the Handle to the linkage as shown.

Place the Latch Bars into the Latch Guides and at the same time slide the Handle up and between the Latch Guide and Latch Bar. Continue until they are complete through as shown.

**STEP 4:**

Secure the Handle to the Latch Frame with the 3/8" x 1" carriage bolt, washer and Lock nut as shown in figure 6. Be sure that the washer is placed between the Handle and Latch Mount Plate to act as a bushing.

*NOTE: Refer to Page 2 for instructions on mounting the Lever Latch to a gate.*

