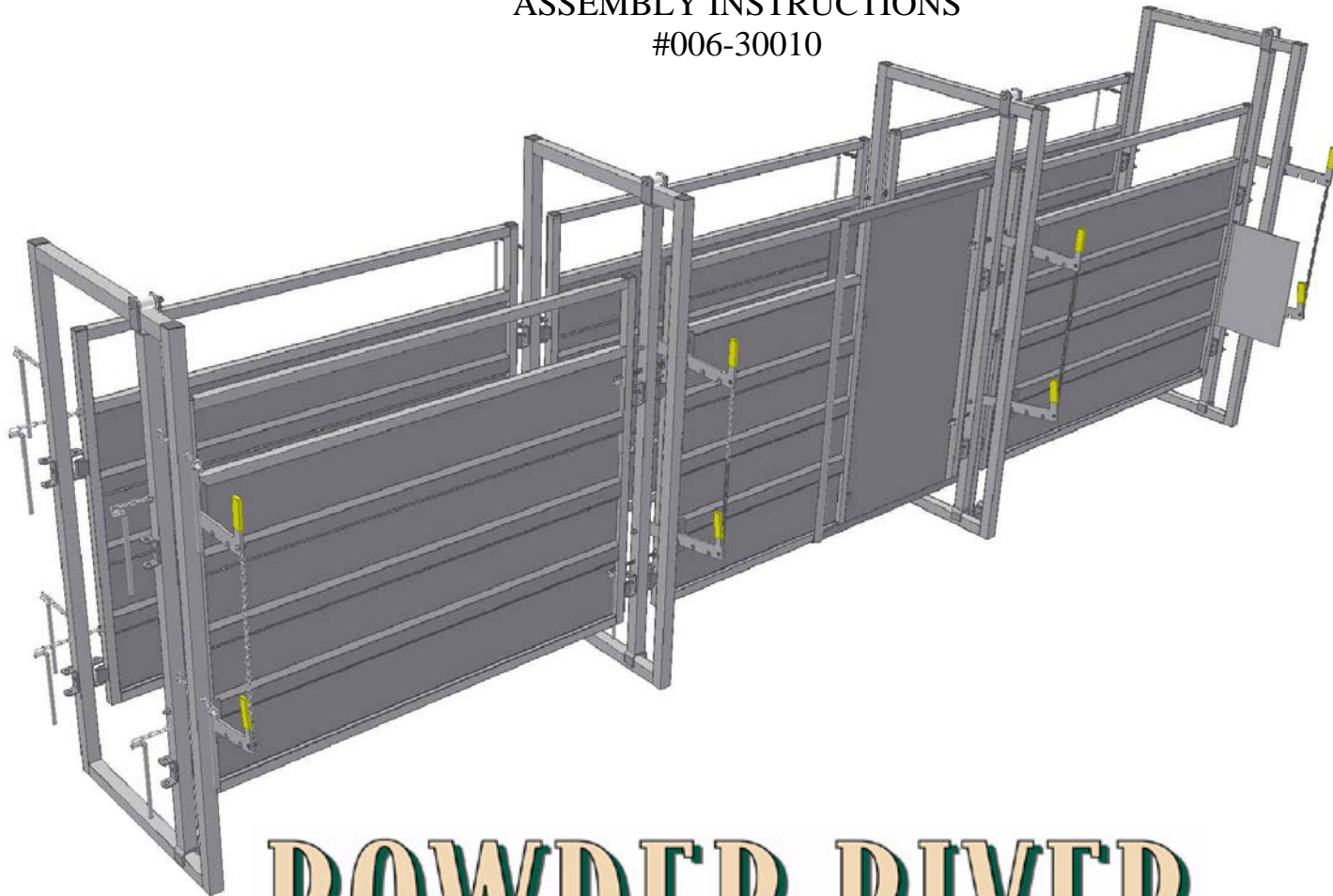


CATTLEMAN'S ALLEY

ASSEMBLY INSTRUCTIONS

#006-30010

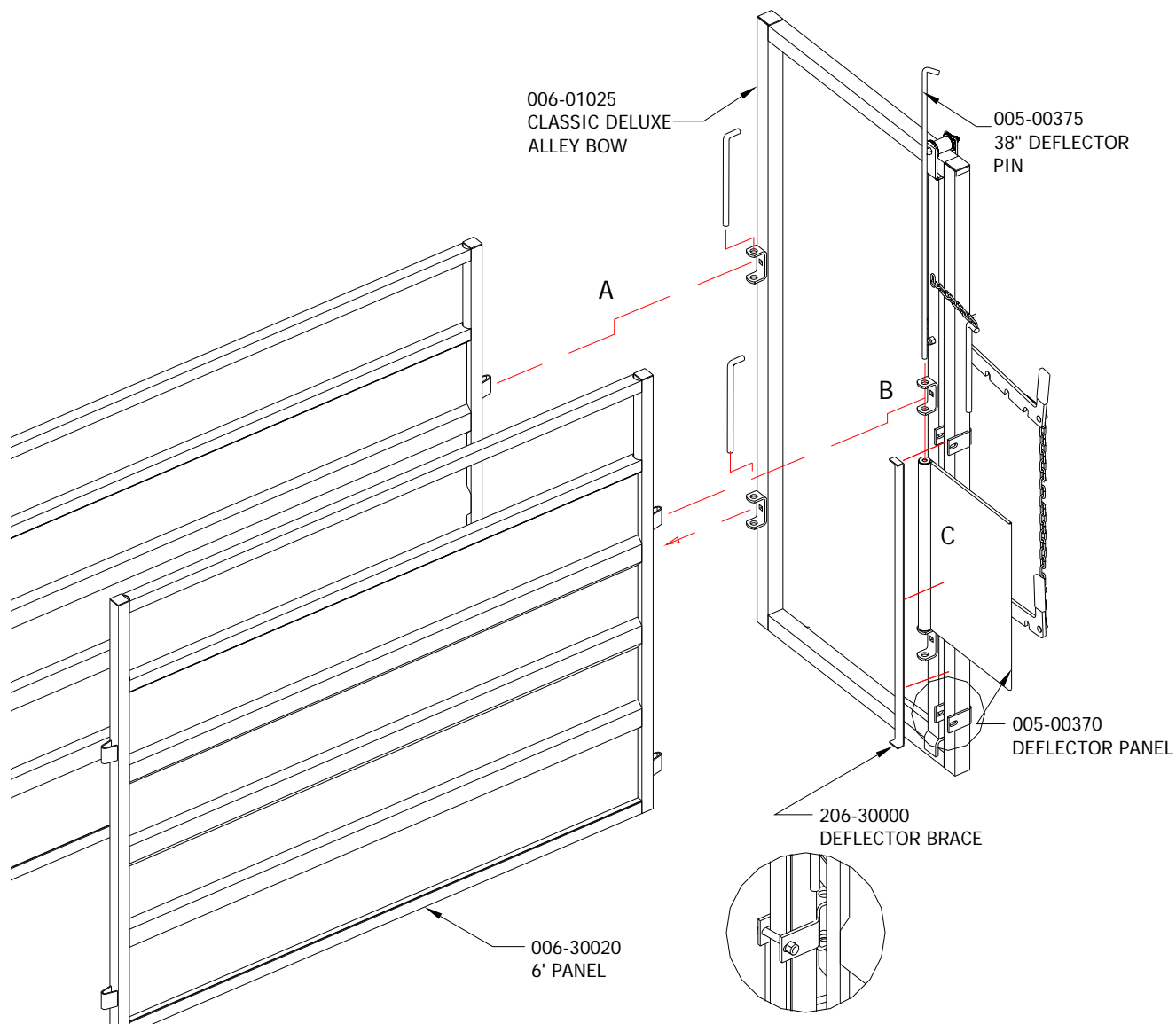


POWDER RIVER

• LIVESTOCK HANDLING EQUIPMENT •

www.powderriver.com

1-800-453-5318



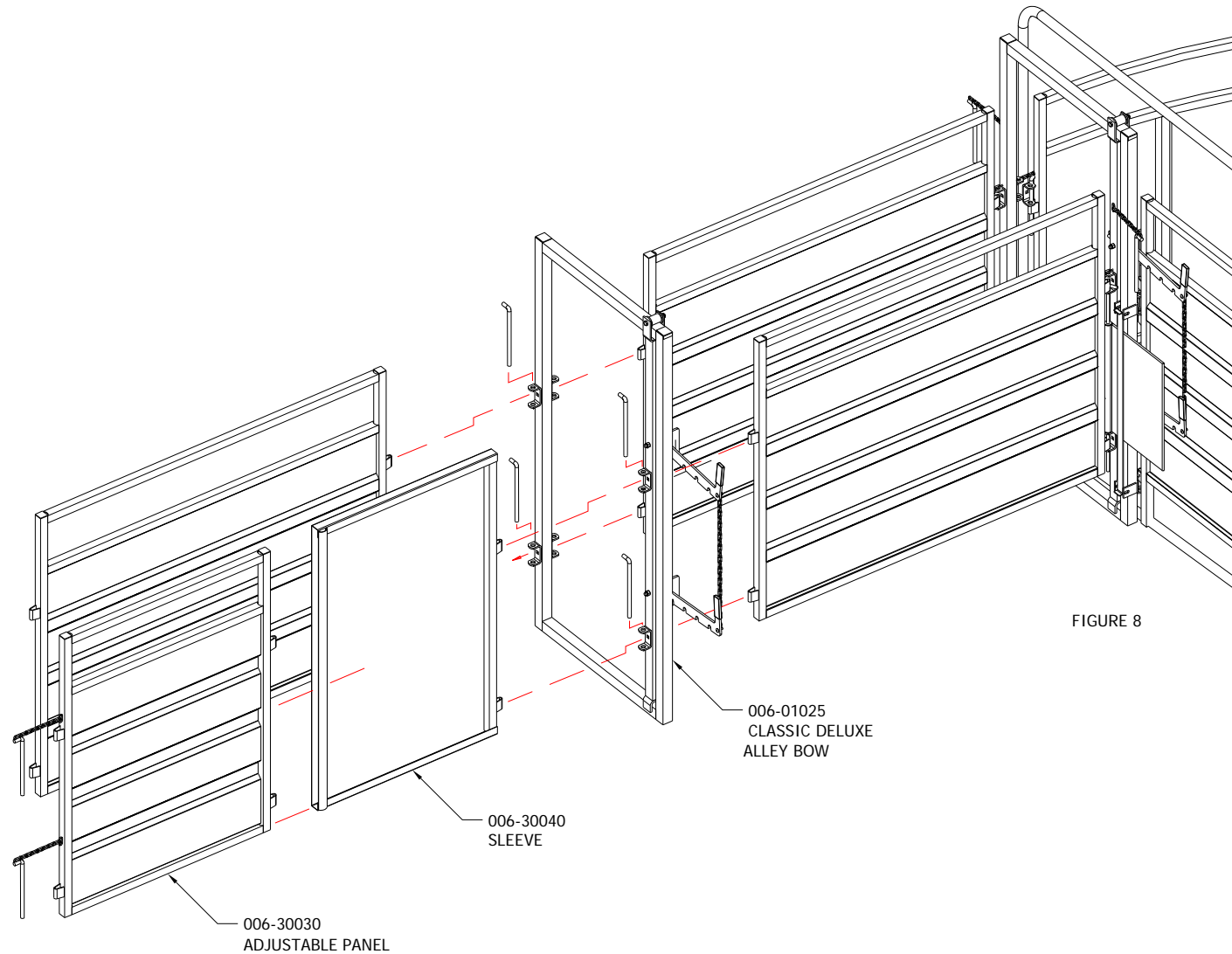
Step 1:

- A) Line up bracket and panel clip. Drop pin through. Repeat for bottom of panel.
- B) Line the deflector panel up with the brackets on the bow gate (fig 7). Now slide 6' panel into brackets. Line up all holes and drop large 38" deflector pin through all holes.
- C) Place deflector brace into clamps which are holding alley bow gate into place. Press the brace flush with the deflector panel. See Fig 1-C.
- D) Place bolt through clamp as shown.

Step 2: (Adjustable Alley Panel Assembly)

-Place alley bow as shown. Align brackets and panel clips. Drop pins through each, securing the alley bow to the panels.

-The sleeve slides into the adjustable panel, and is completed prior to shipment from Powder River.



Step 3:

Place alley bow as shown. Align brackets and panel clips. Now drop pins through each, securing the alley bow to the panels. Repeat for each set of brackets.

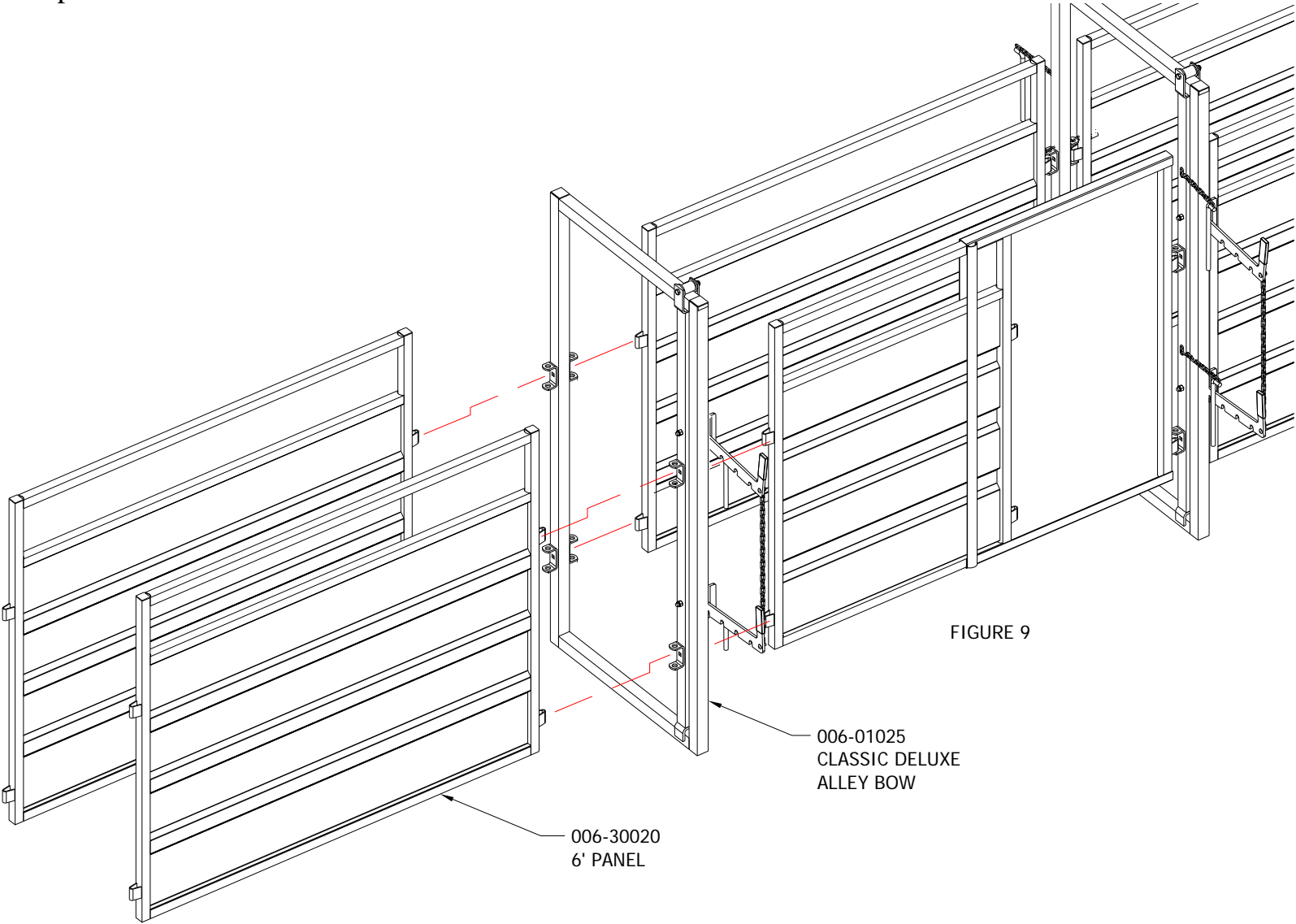


FIGURE 9

006-01025
CLASSIC DELUXE
ALLEY BOW

006-30020
6' PANEL

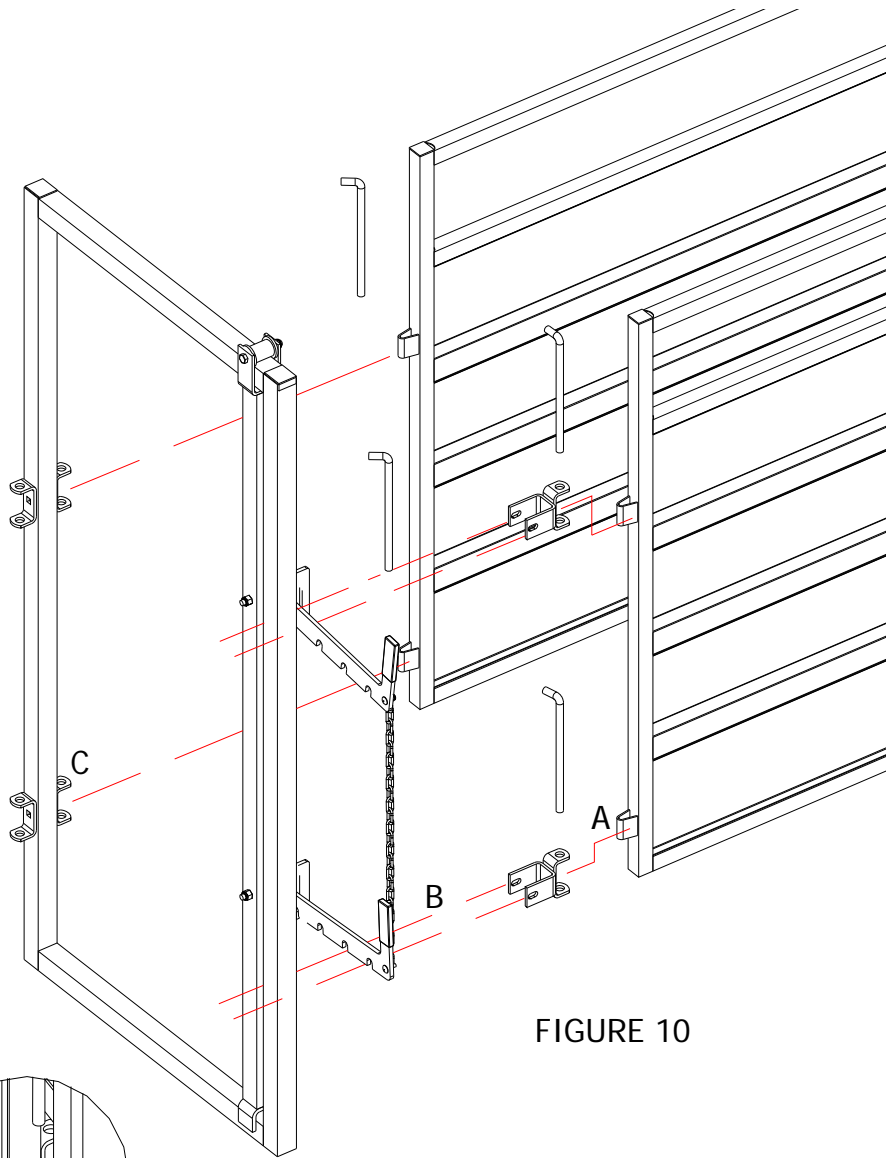


FIGURE 10

Step 4:

- A) Align the holes of the post clamp and the bracket connected to the straight tub panel. Drop pin through all then repeat on clamp below.
- B) Slide alley bow into groove of clamp (figure B).
- C) Align holes of brackets and drop pin through all (figure C).
- D) Place bolt through clamp (figure D).

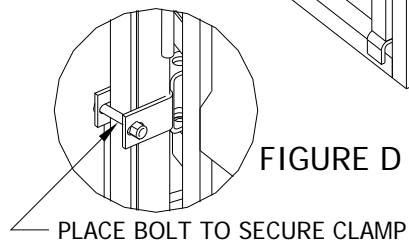
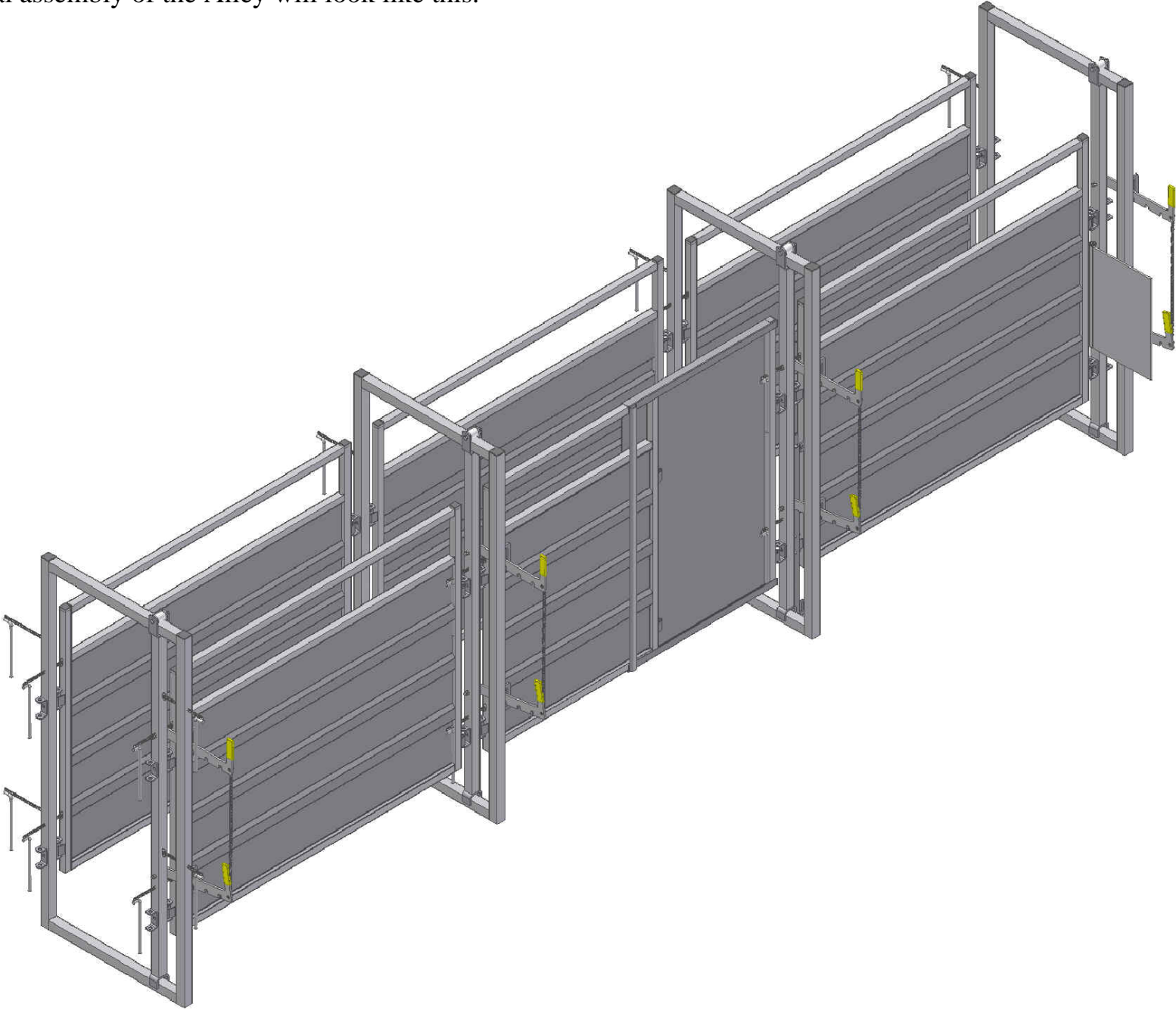


FIGURE D

PLACE BOLT TO SECURE CLAMP

The final assembly of the Alley will look like this.



This alley will also curve as shown below:

