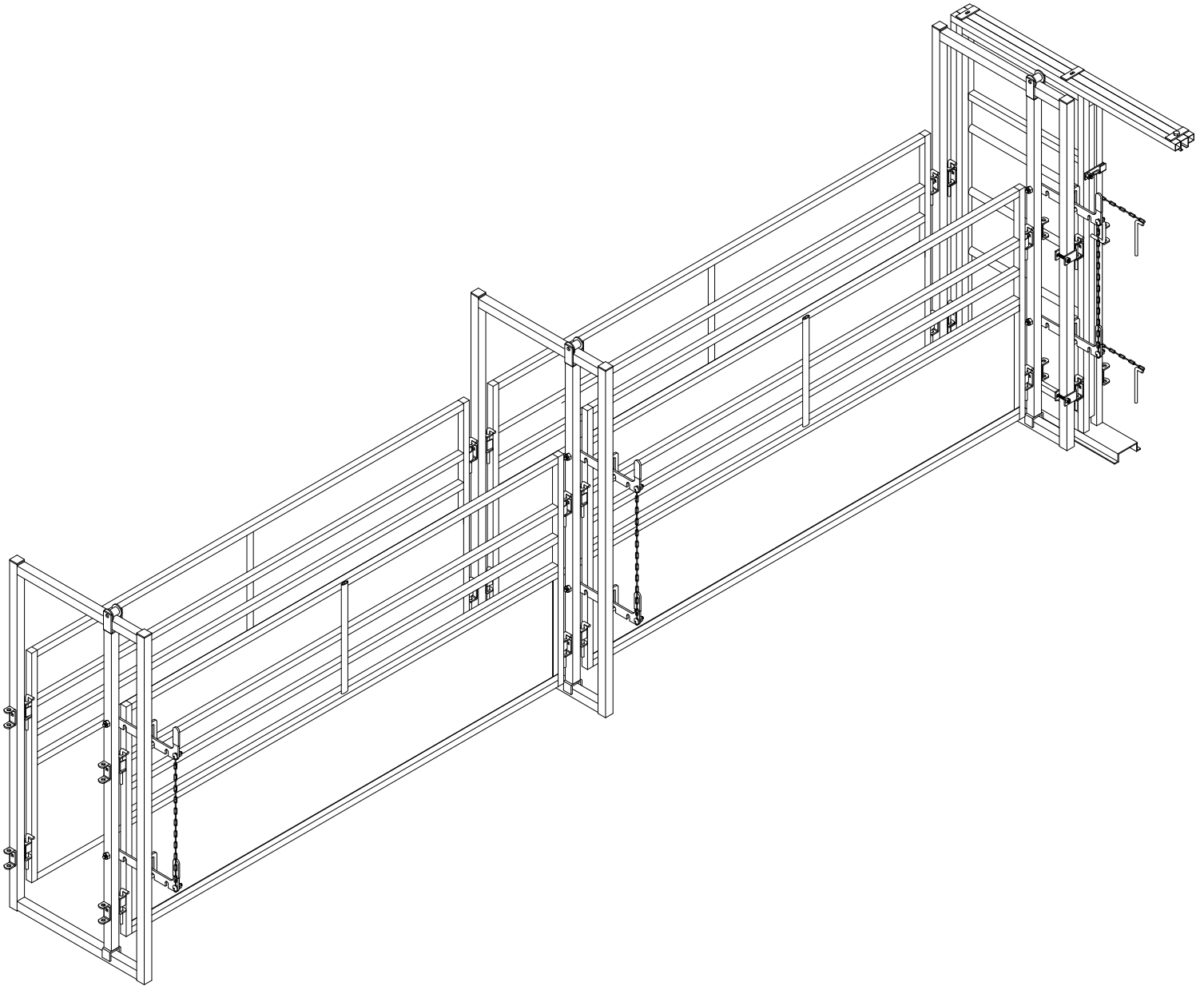


CLASSIC DELUXE ALLEY

ASSEMBLY INSTRUCTIONS

#006-01000



POWDER RIVER

• LIVESTOCK HANDLING EQUIPMENT •

www.powderriver.com

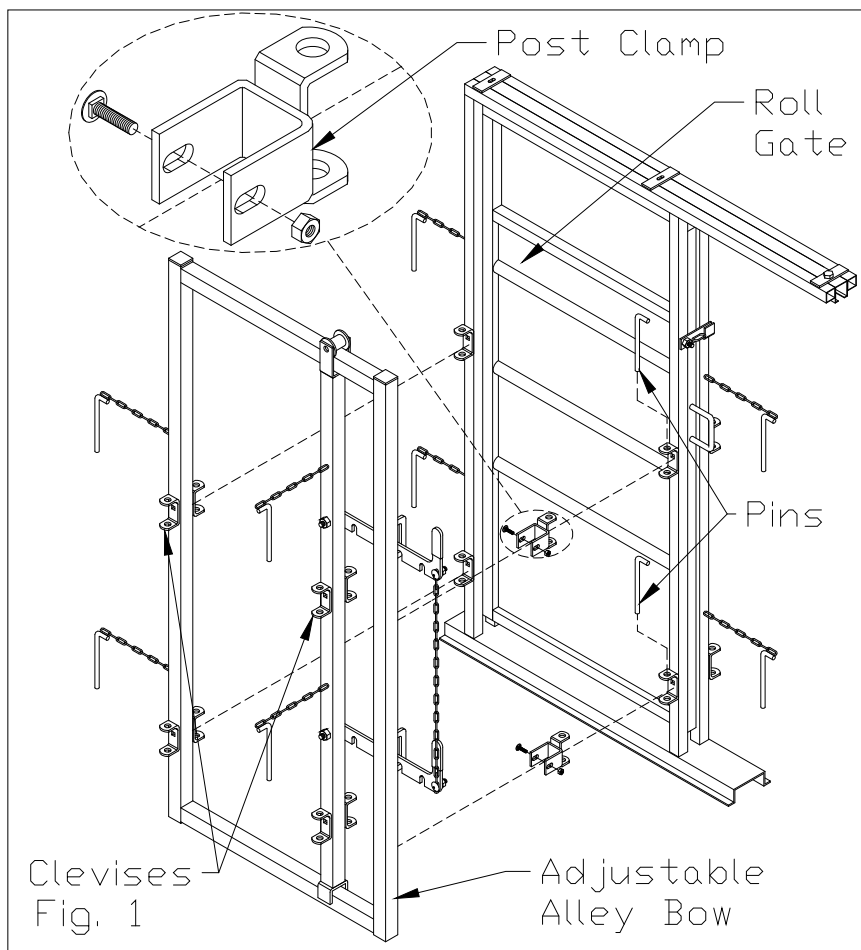
1-800-453-5318

STEP 1:

Use the two extra Pins to secure the two Post Clamps to the Roll Gate as shown in figure 1.

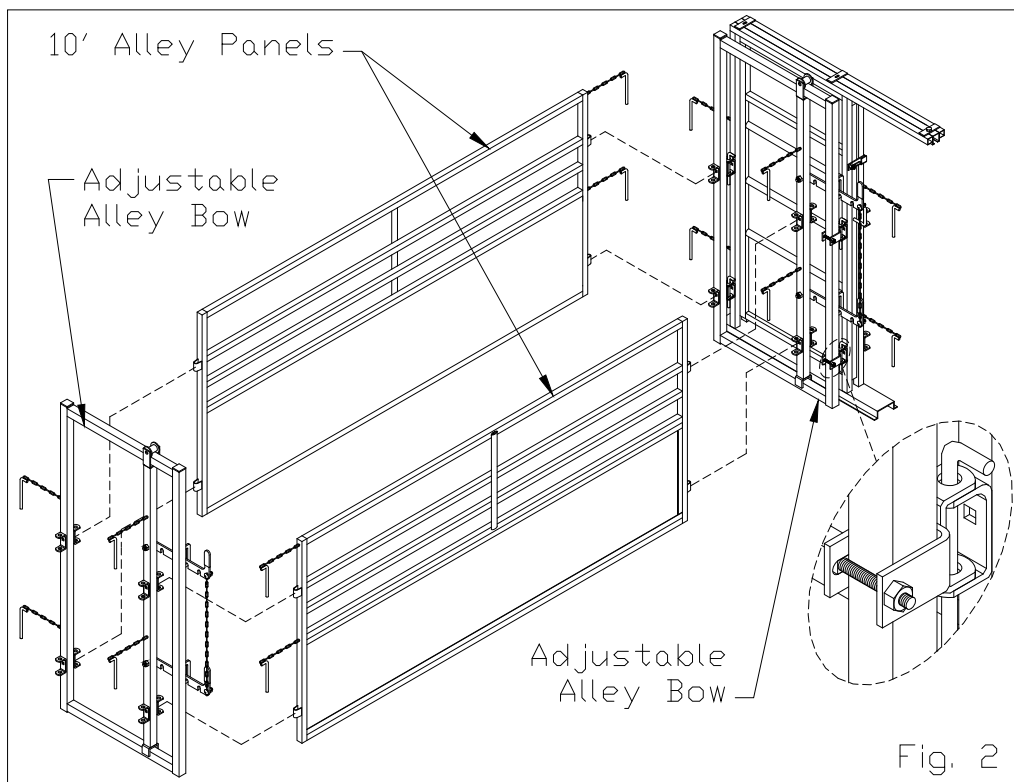
Place the Adjustable Alley Bow next to the Roll Gate and bolt the Post Clamps to the outside tube of the Alley Bow as shown. Secure the other side of the Alley Bow to the Roll Gate with the two pins that are attached to the Alley Bow.

NOTE: Refer to figure 2 for a picture of the Post Clamp secured to the Alley Bow and Roll Gate.

**STEP 2:**

Attach one of the 10' Alley Panels to the Adjustable Alley Bow that is secured to the Roll Gate by pinning the clips on the Alley Panel to the Clevises on the Adjustable Alley Bow. Secure the far end of that panel to the other Adjustable Alley Bow as shown in figure 2.

Secure the second panel to both Adjustable Alley Bows in the same manner as the first.



POWDER RIVER
• LIVESTOCK HANDLING EQUIPMENT •

STEP 3:

Using figure 3 as a reference, secure the remaining Alley panels and Adjustable Alley Bows together in the same manner as before in step 2.

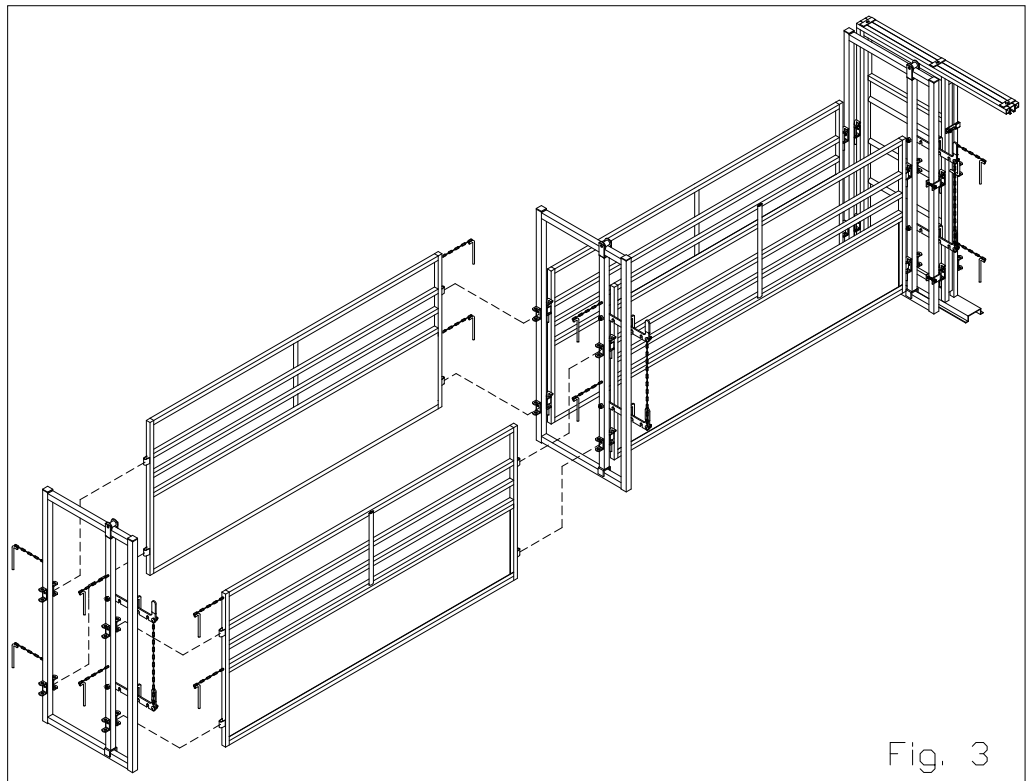


Fig. 3

Cut Out Gate Assembly Instructions

(Cut Out Gate set is Optional)

(Order #006-01013)

STEP 4:

Connect the right and left-hand Cut Out Gates to the two Alley Bows in the same manner as before with the Alley Panels in steps 2 and 3.

Lower both Stabilizer Braces all the way down to the ground.

Slide the Safety Latch into the end tub on the gate as shown in figure 4.

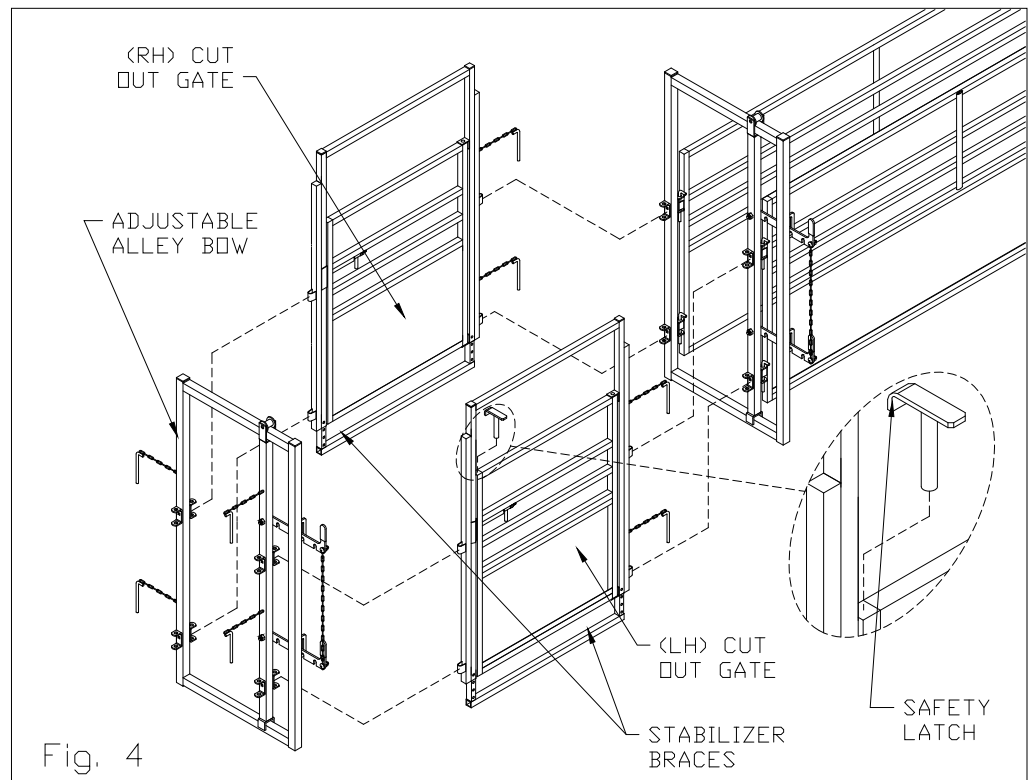


Fig. 4

POWDER RIVER
 • LIVESTOCK HANDLING EQUIPMENT •