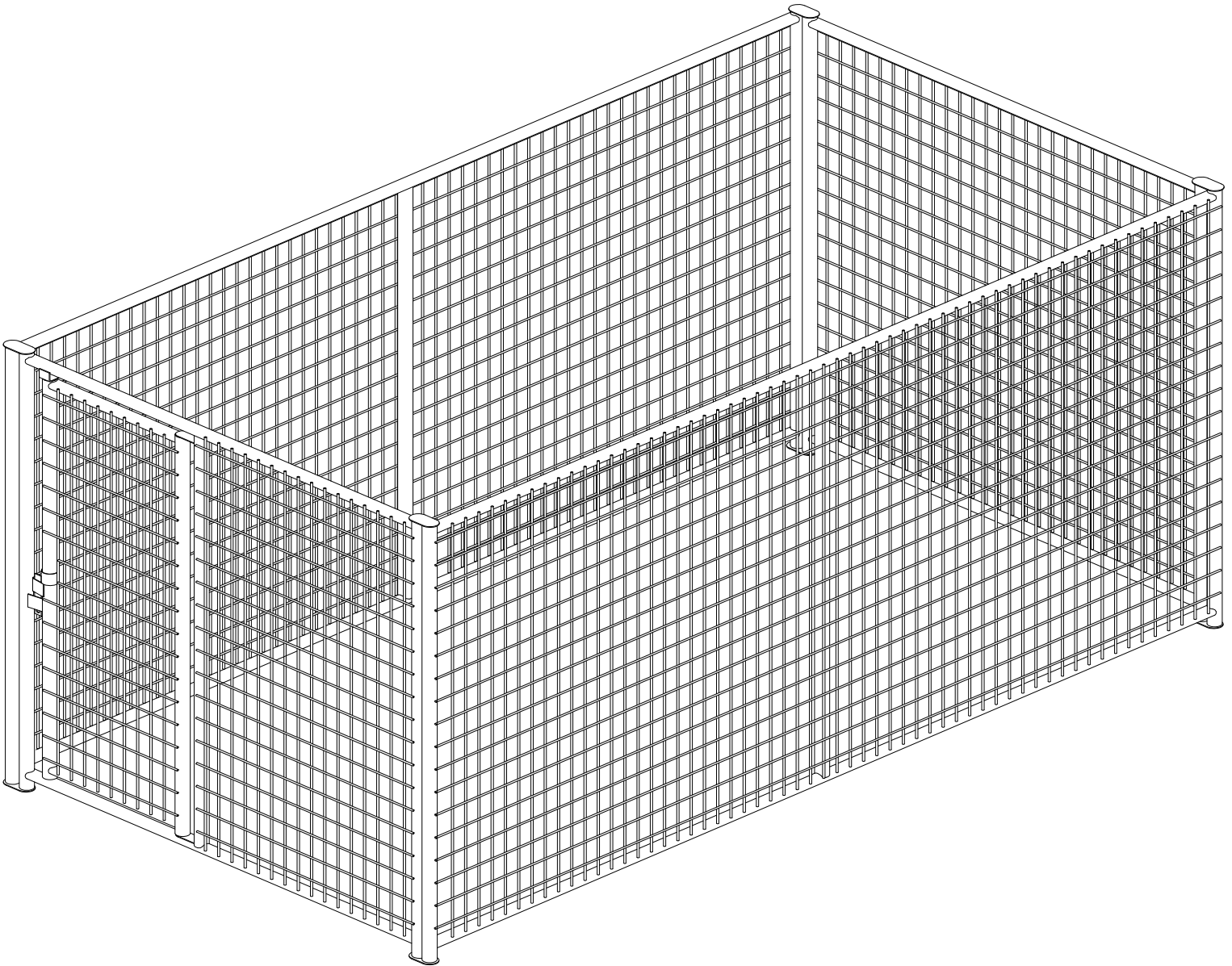


DOG KENNEL

ASSEMBLY INSTRUCTIONS



POWDER RIVER

• LIVESTOCK HANDLING EQUIPMENT •

www.powderriver.com

1-800-453-5318

NOTE: Steps 1 and 2 are for assembling the Kennel using Top and Bottom Connectors. Steps 3 and 4 are for assembly using Butterfly Clamps. Steps 5 and 6 are for assembling 2 or more Kennels together. Pages 5 and 6 are for mounting Kennel Tops to Kennels.

STEP 1:

Place the Bottom Connectors into the bottom of the end tubes, as shown in figure 1.



CAUTION

PANELS CAN AND WILL FALL IF NOT SUPPORTED PROPERLY WHILE BEING ASSEMBLED!

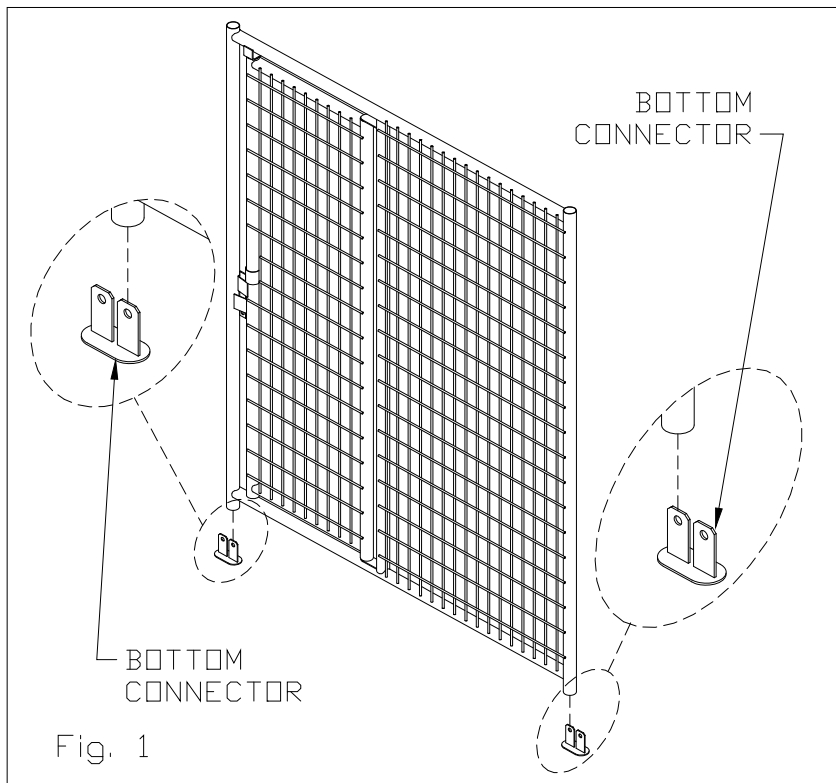


Fig. 1

STEP 2:

Slide the side panel onto the Bottom Connectors as shown.

Secure the front and side panels together by placing the Top Connector into the top of the end tubes, as shown in figure 2.

Continue this until all four sides of the Kennel are secured together.

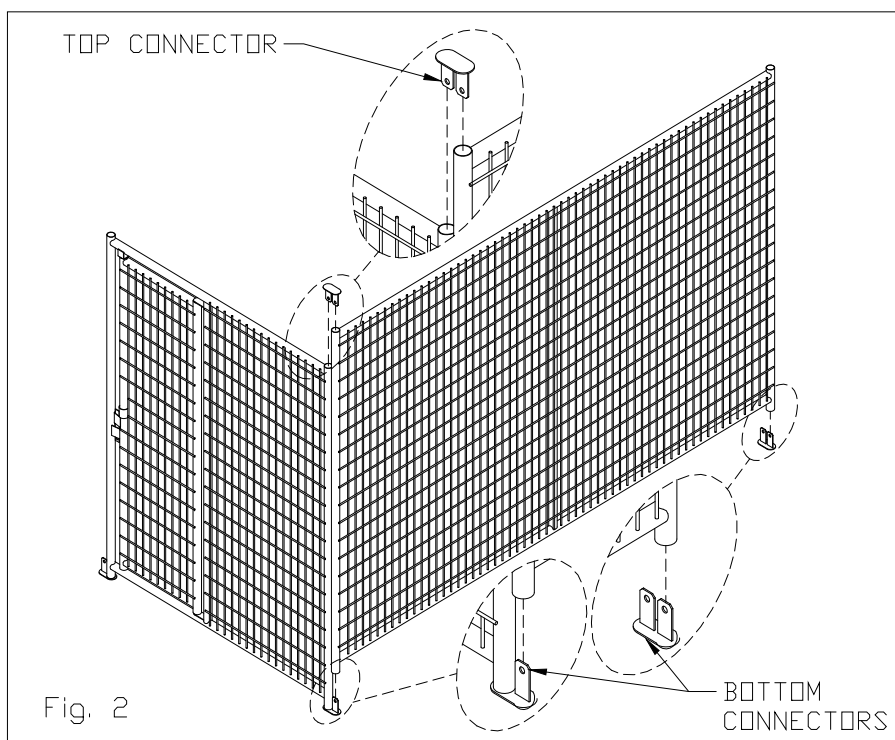
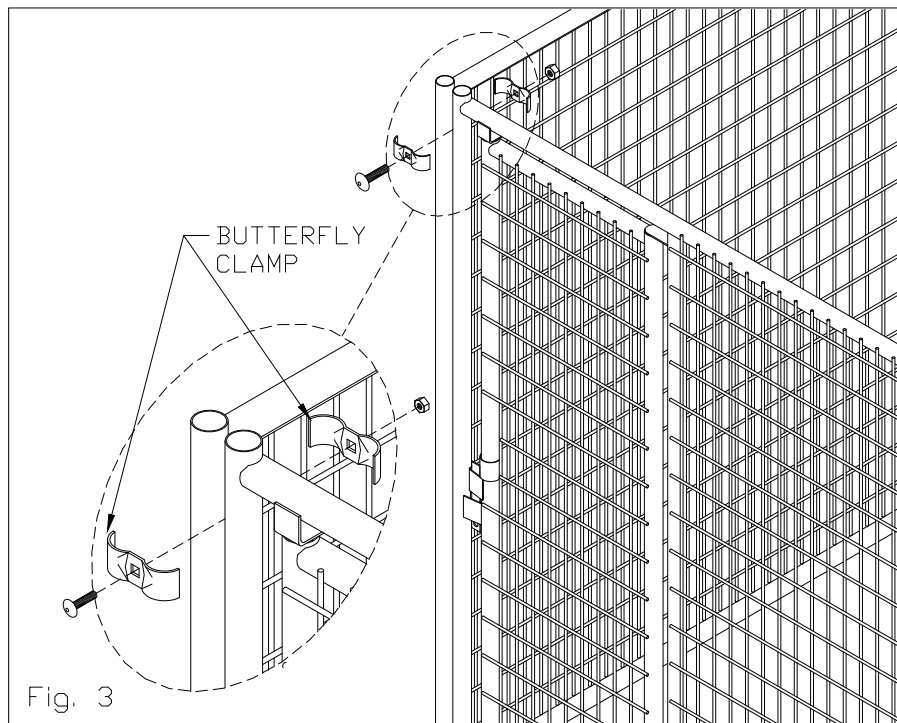


Fig. 2

STEP 3:

When assembling a Kennel with Butterfly Clamps, place the end tubes of the two panels side by side and attach the Butterfly Clamp, as shown in figure 3.



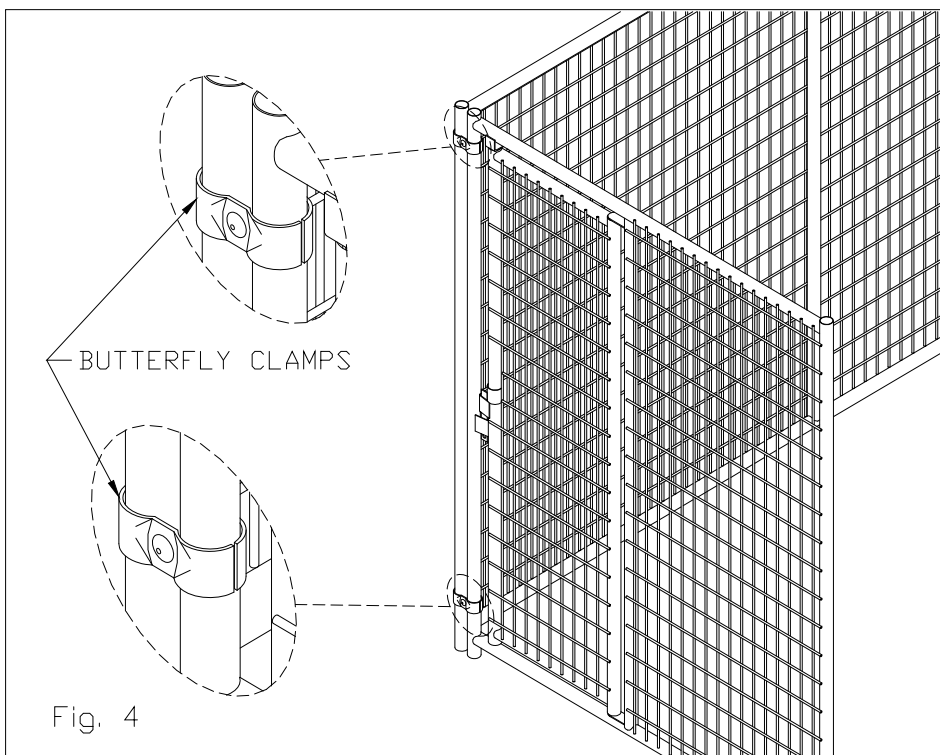
CAUTION

PANELS CAN AND WILL FALL IF NOT SUPPORTED PROPERLY WHILE BEING ASSEMBLED!

STEP 4:

Place the clamps near the top and bottom of each panel as shown in figure 4.

Continue this until all four sides of the Kennel are secured together.



STEP 5:

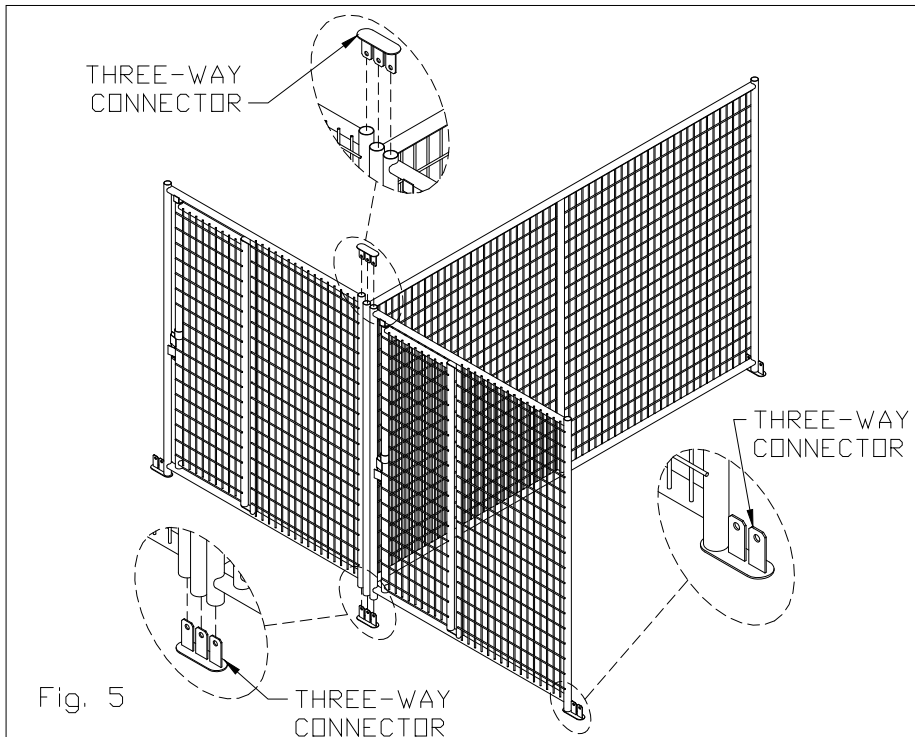
To assemble more than one Kennel together using the Three-way Connector. Place the Three-way Connector into the end tubes of each panel as shown in figure 5. Continue this until all panels are assembled together.

NOTE: Refer to steps 1 and 2 when assembling the side panels that will be on the outside of the adjoined Kennels.



CAUTION

PANELS CAN AND WILL FALL IF NOT SUPPORTED PROPERLY WHILE BEING ASSEMBLED!

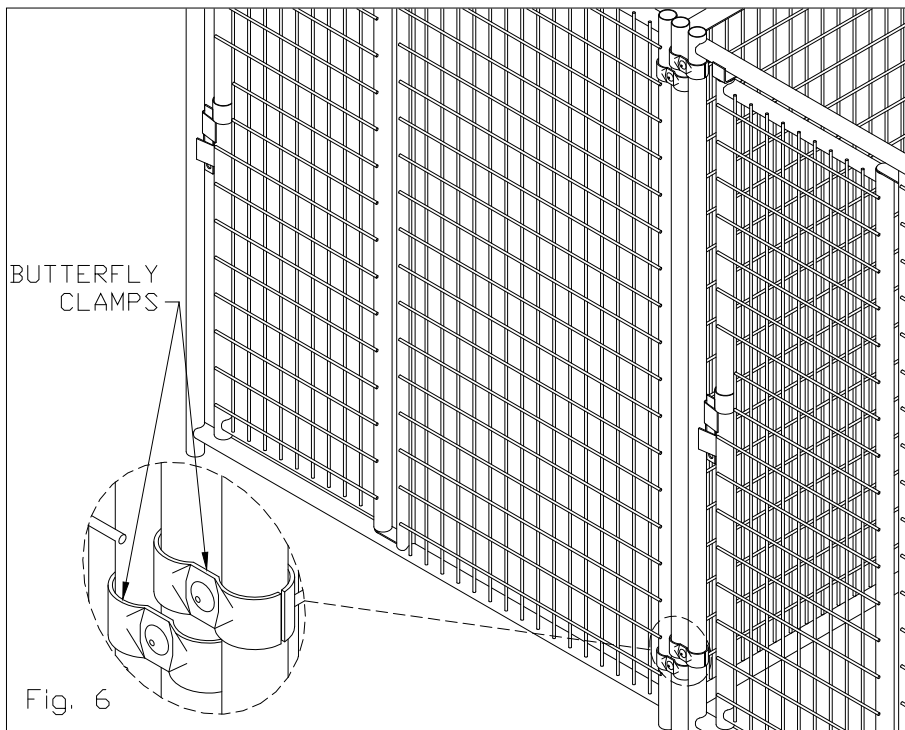


STEP 6:

When using the Butterfly Clamp to assemble more than one Kennel together. Place them near the top and bottom of each panel as shown in figure 6.

Refer to step 3 for assembly of the clamp.

NOTE: Refer to steps 3 and 4 when assembling the side panels that will be on the outside of the adjoined Kennels.



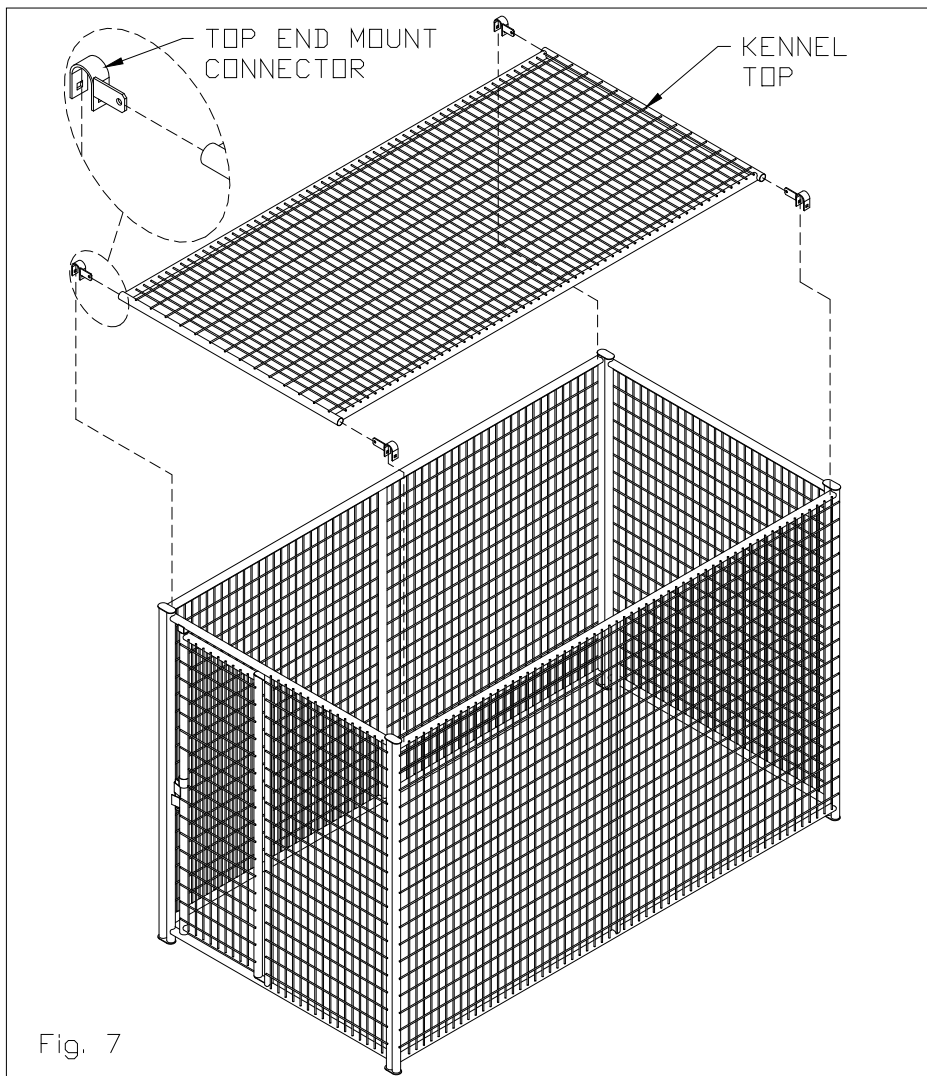
KENNEL TOP ASSEMBLIES

Note: Kennel Top is optional and not included with purchase of Kennel.

SINGLE 5' X 10' KENNEL
009-00100

Use figure 7 as a reference when mounting the Kennel Top to a single Kennel. Lift the Kennel Top above the Kennel and slide two Top End Mount Connectors into the end tubes on one side of the Kennel Top. Slide those connectors onto the top rail of the Kennel. Slide the remaining two Top End Mount Connectors into the end tubes on the other side of the Kennel Top and slide those connectors onto the top rail of the Kennel as shown.

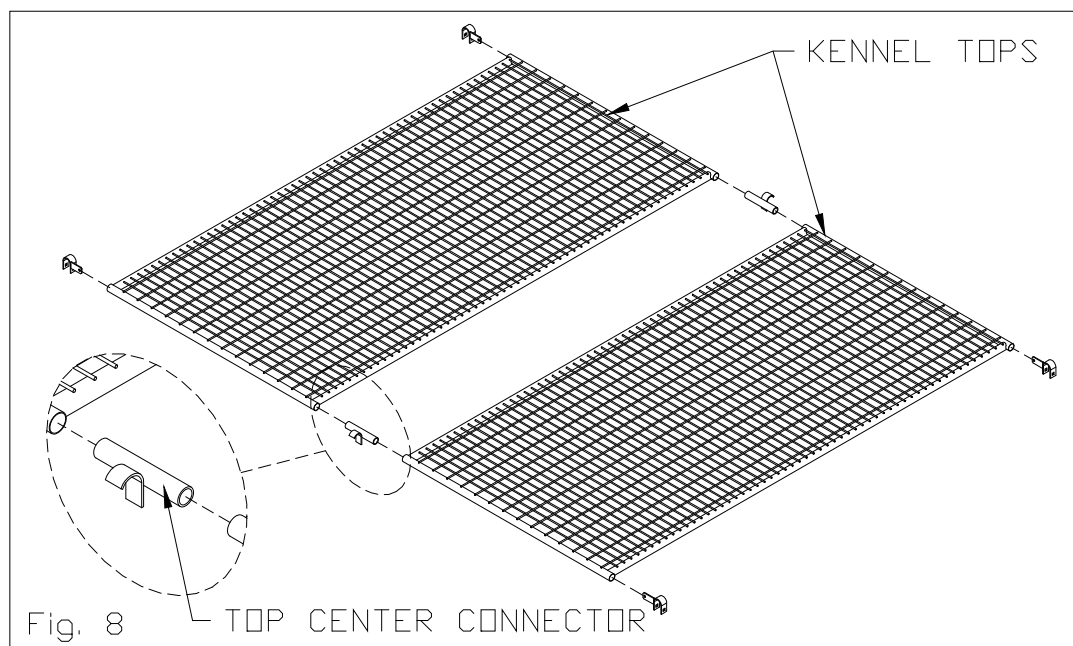
Refer to figure 10 for securing the Kennel Top to the Kennel.



SINGLE 10' X 10' KENNEL
009-00105

Mounting Kennel Top to a 10' X 10' Kennel is done in the same manner as the single 5' X 10' Kennel in figure 7, with the exception of two Top Center Connectors sliding into the end tubes between the two Kennel Tops as shown in figure 8. The Top Center Connectors hang on the top rail of the front and back panels of the Kennel.

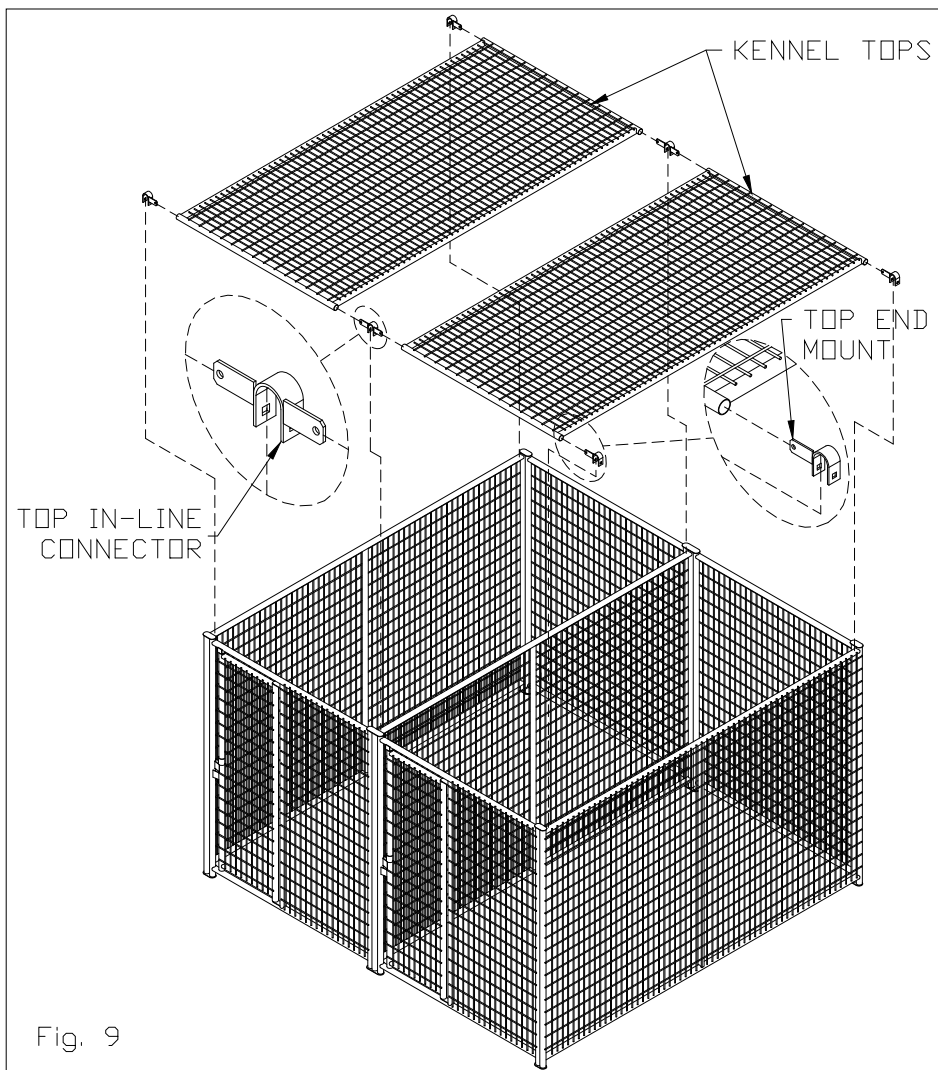
Refer to figure 10 for securing the Kennel Top to the Kennel.



MULTIPLE KENNELS

Use figure 9 as a reference when mounting Kennel Tops to multiple Kennels. Starting with a Kennel on the outside, lift one of the Kennel Tops above the Kennel and slide two Top End Mount Connectors into the end tubes on the outside of the Kennel Top. Slide those connectors onto the top rail of the Kennel. Slide two Top In-line Connectors into the end tubes on the other side of the Kennel Top and slide them onto the top rail of the Kennel. Lift another Kennel Top above the next Kennel and slide the end tubes on one side of the Kennel Top into the Top In-line Connectors that are already attached to the Kennel. If you have more than two Kennels connected, slide two more Top In-line Connectors into the end tubes on the far side of the Kennel Top and continue this until you reach the last Kennel. End in the same manner as you started, with two Top End Mount Connectors as shown.

Refer to figure 10 for securing the Kennel Top to the Kennel.



SECURING KENNEL TOP TO KENNEL

Secure the Kennel Top to the Kennel by placing a 3/8" x 2 1/2" Carriage Bolt and 3/8" Nut on every Top End Mount and Top In-line Connector as shown in figure 10.

