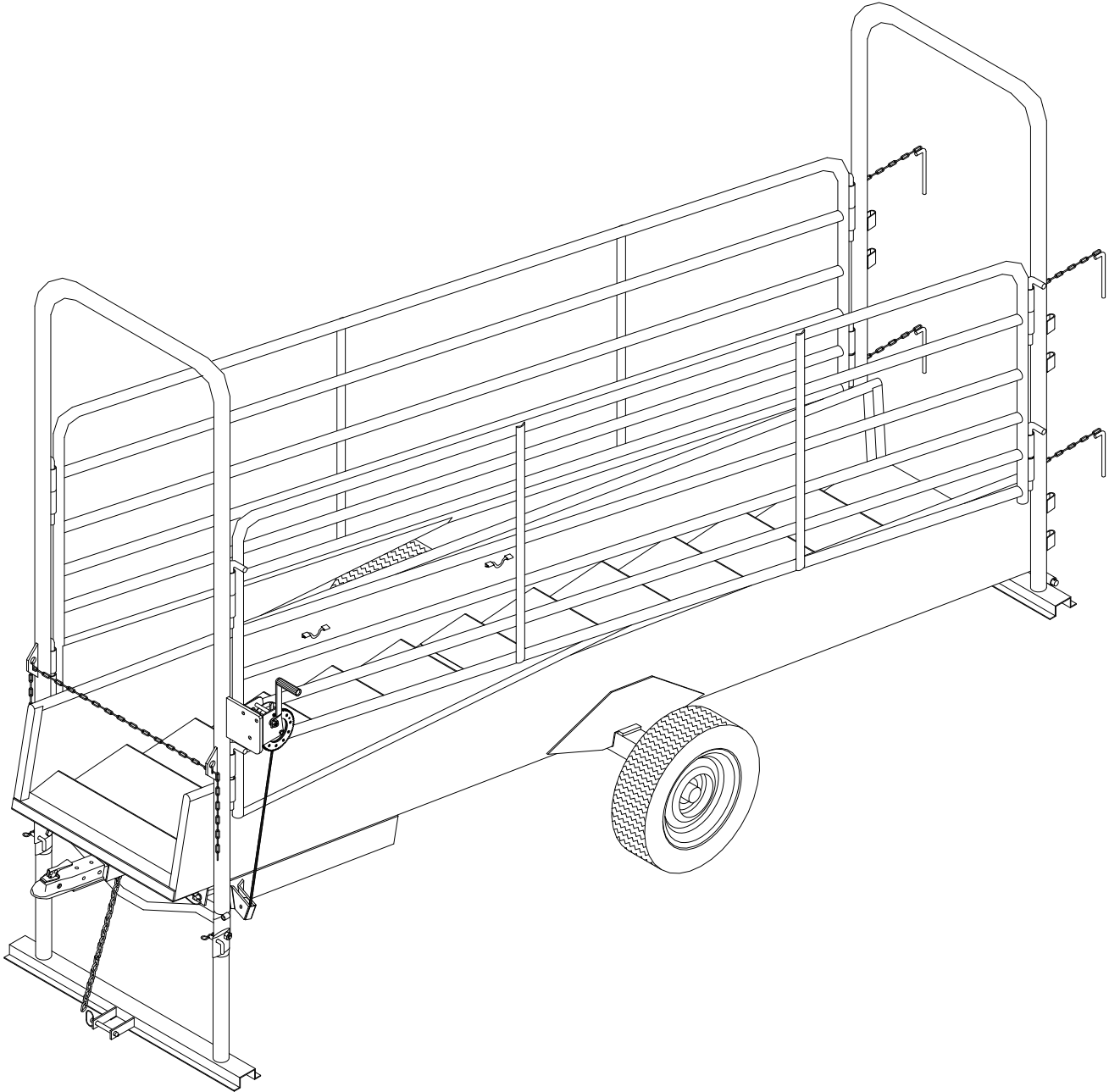


LOADING RAMP

ASSEMBLY INSTRUCTIONS

#012-00010 & 012-00011



POWDER RIVER

• LIVESTOCK HANDLING EQUIPMENT •

www.powderriver.com

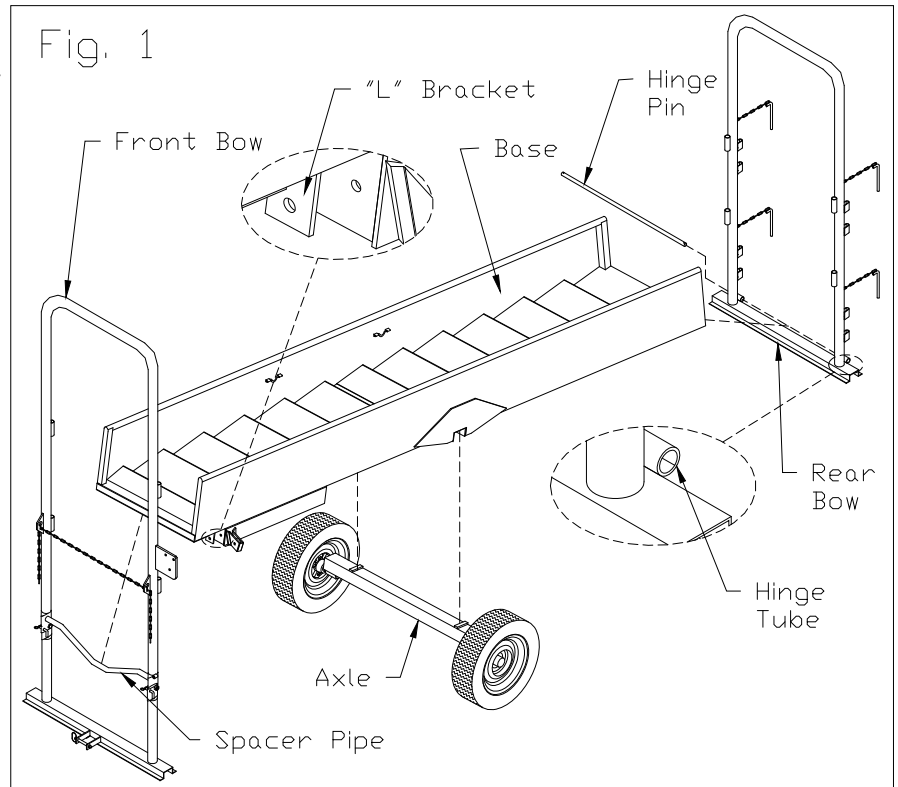
1-800-453-5318

NOTE: These instructions are for both Stationary and Portable Loading Ramps. If you ordered the Stationary Loading Ramp you will not have an Axle or a Tongue, so please disregard any information regarding on these two components.

STEP 1:

Turn the Base over so that it is upside-down and bolt the Axle to the base as shown in figures 1 and 2.

Using figures 1 and 2 as a reference, place the rear of the Base through the Rear Bow and secure the base and bow together by sliding the Hinge Pin through the (5) hinge tubes on the Bow and Base. Place (2) cotter pins in each end of the hinge pin to secure it in place.



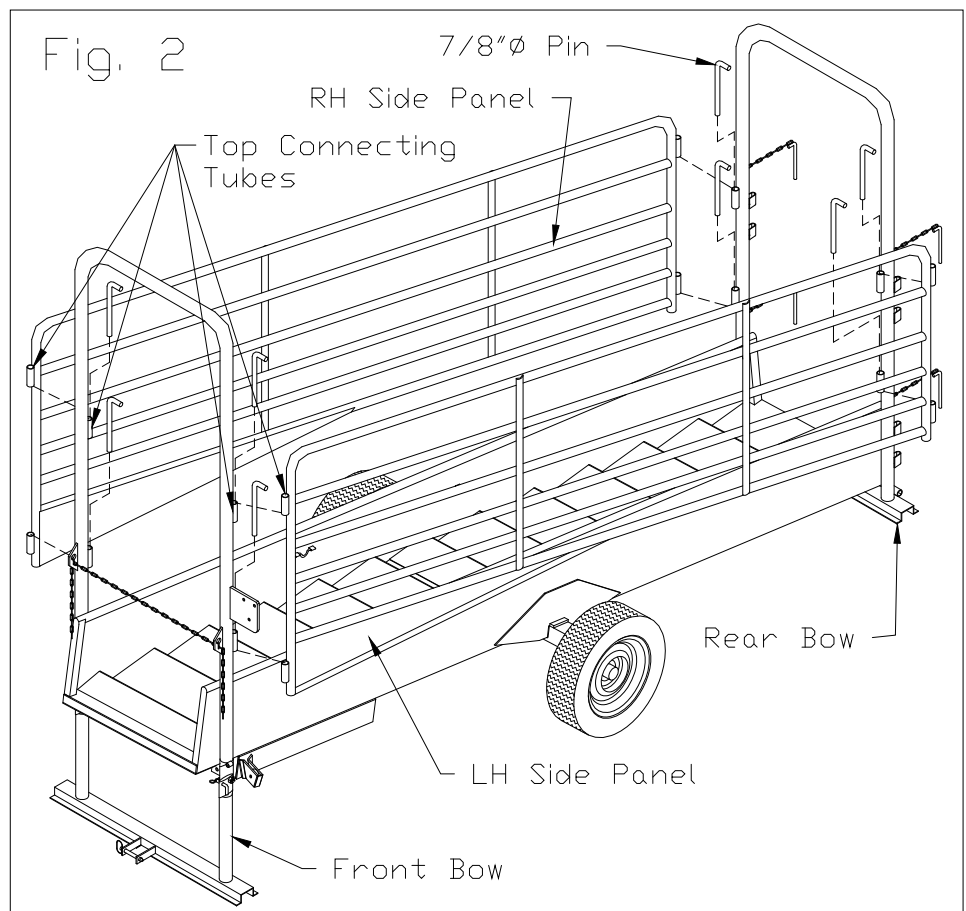
Set the front end of the Base onto the spacer pipe on the Front Bow. The spacer pipe should be placed behind the (2) "L" brackets on each side of the Base bottom as shown in figure 1.

NOTE: 15" Rims are included with each Axle assembly, tires are not. Use standard size tires to prevent any clearance problems

STEP 2:

Using the (8) 7/8" \varnothing pins secure the right and left-hand Side Panels to the Front and Rear Bows as shown in figure 2. The top Connecting Tubes on the Side Panels should be placed on top of the top Connecting tubes on the bows as shown in figure 3.

Place (8) cotter pin in bottoms of the (8) 7/8" \varnothing pins to secure them in place.

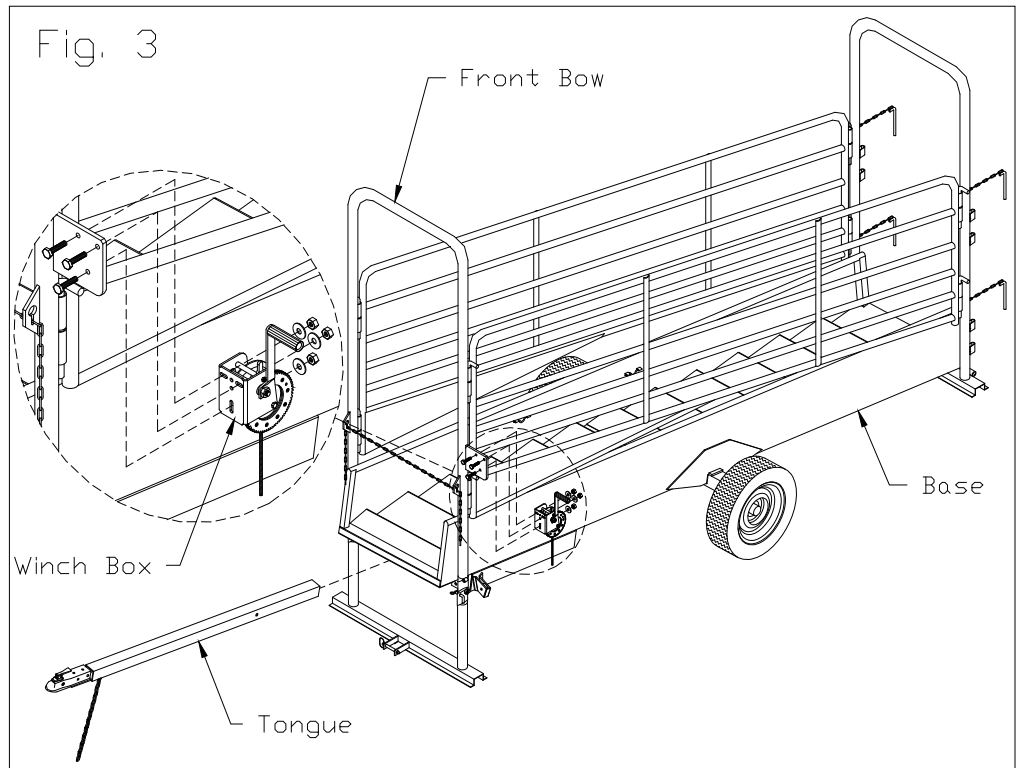


POWDER RIVER
 • LIVESTOCK HANDLING EQUIPMENT •

STEP 3:

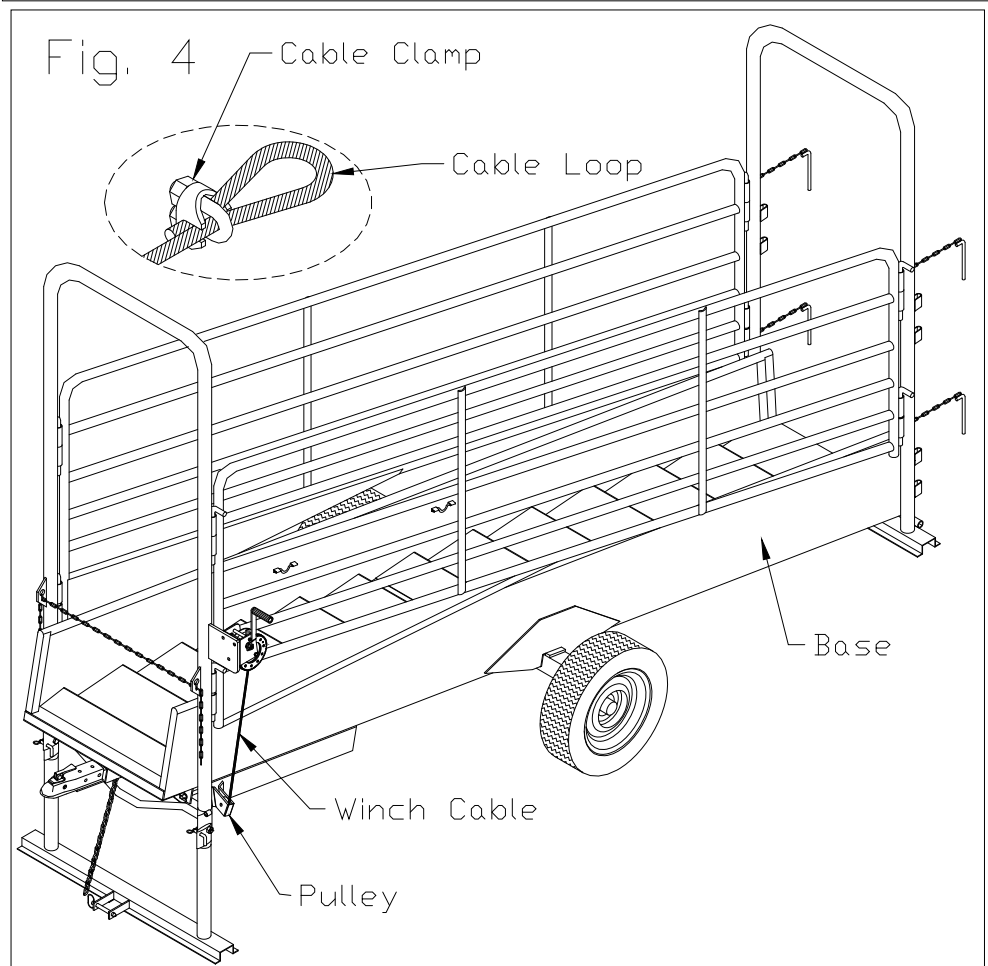
Bolt the Winch Box on to the Front Bow using the (3) 3/8" x 1-1/2" hex bolts and (3) 3/8" washers and lock nuts as shown in figure 3.

Slide the Tongue into the receiver tube on the bottom of the Base.

**STEP 4:**

Slide the Winch Cable through the pulley (shown in figure 5) on the each side of the Base. With the cable through the pulleys form a loop with the cable and cable clamp as shown in figure 4. Then hook the loop onto the cable hook on the far side of the Front Bow.

Use the winch to raise the base up to the desired height.



POWDER RIVER
 • LIVESTOCK HANDLING EQUIPMENT •

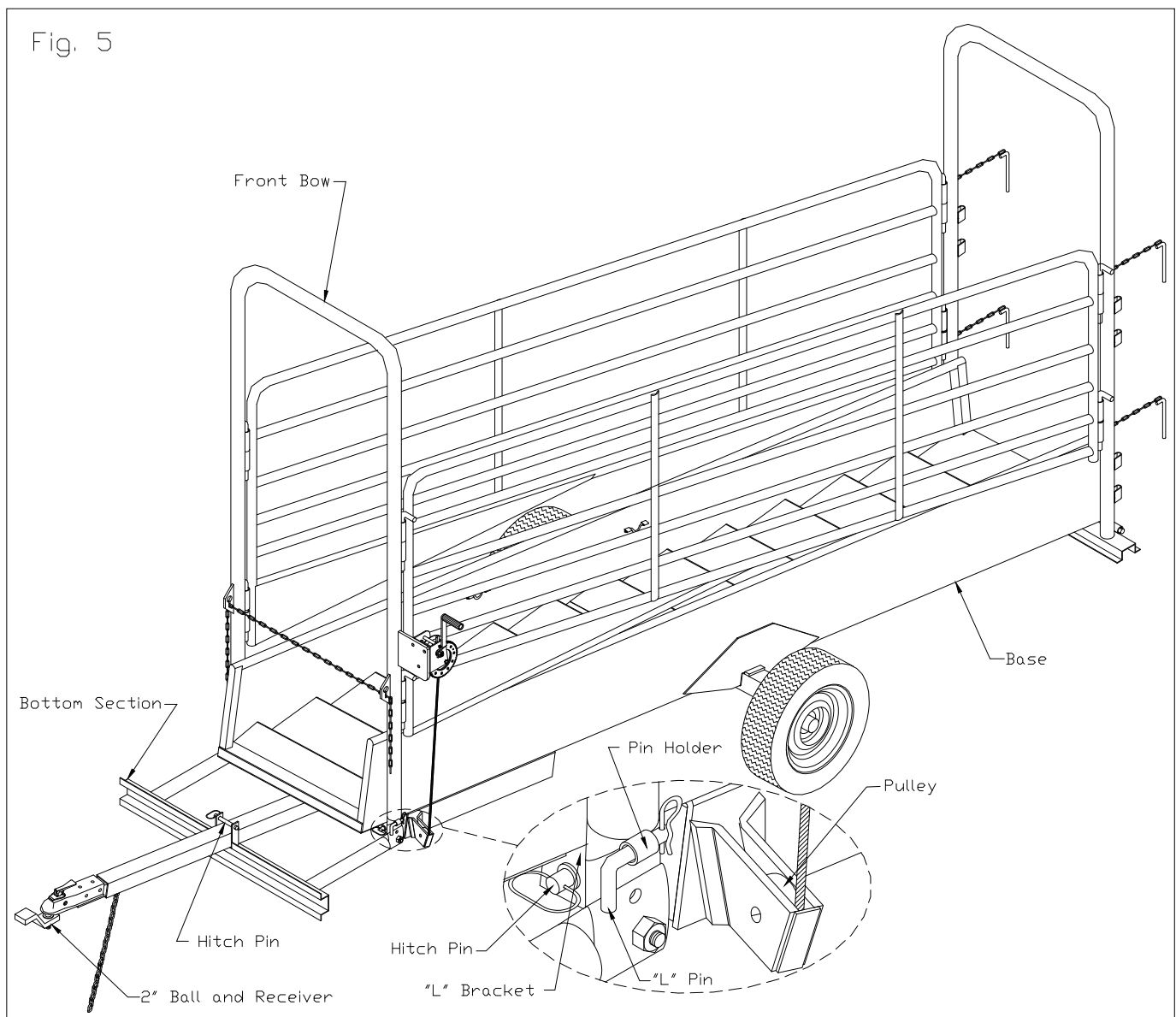
STEP 5:

To transport the Loading Ramp, lower the Base with the winch until it is resting on the spacer pipe (*shown in figure 1*). Insert the (2) hitch pins into the "L" brackets on each side of the Base to secure the Base to the Front Bow.

Extend the Tongue out until the hole on the Tongue and the hole on the receiver tube line up and secure them together with a hitch pin.

Remove the (2) "L" pins from the bottom section of the Front bow. Rotate the bottom section up to the Tongue and secure them together with a hitch pin. Place the (2) "L" pins in the pin holders on each side of the Front Bow as shown in figure 5.

Hitch the Tongue onto a 2" ball and receiver.



POWDER RIVER
 • LIVESTOCK HANDLING EQUIPMENT •