



Save valuable feed with Powder River's individual Manger Feeder. The built-in tray catches most of the dropped hay leaves, and also doubles as a grain or mineral feeder.

Specifications

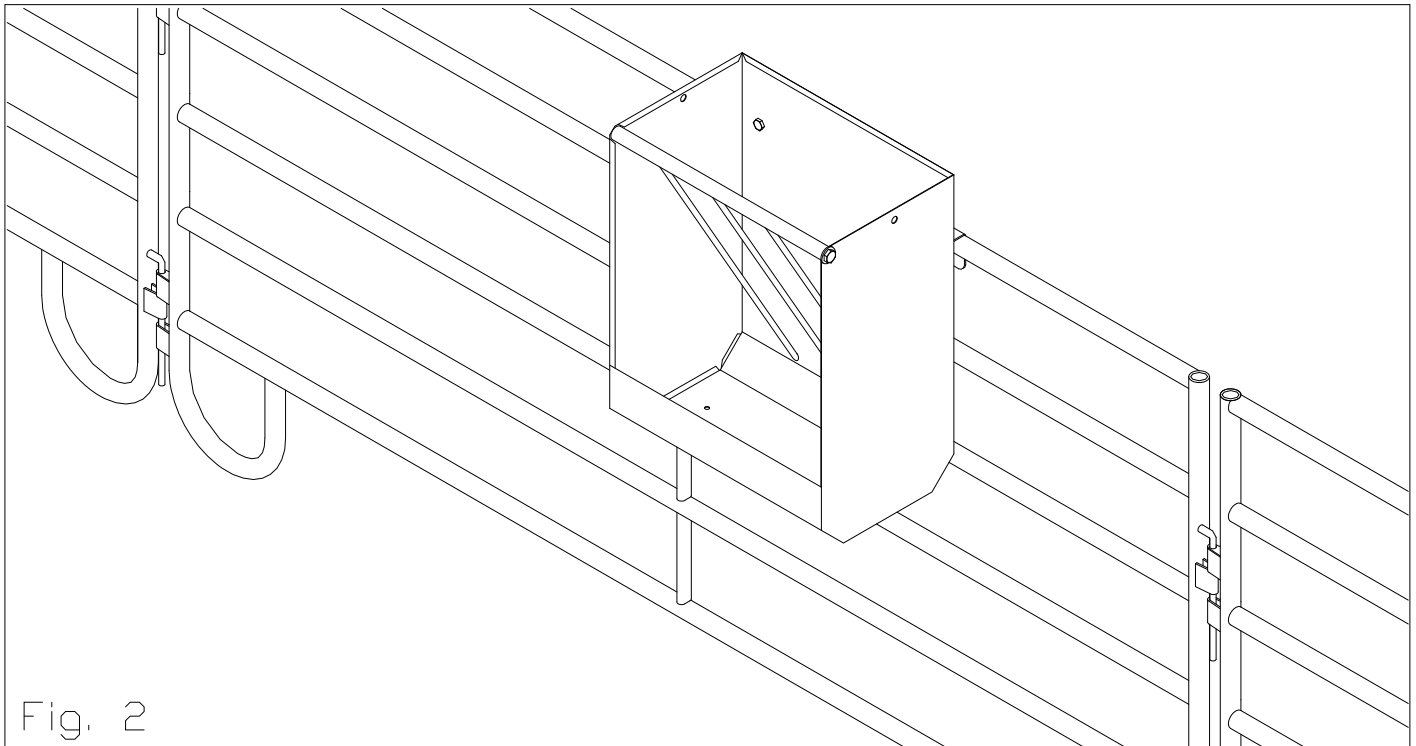
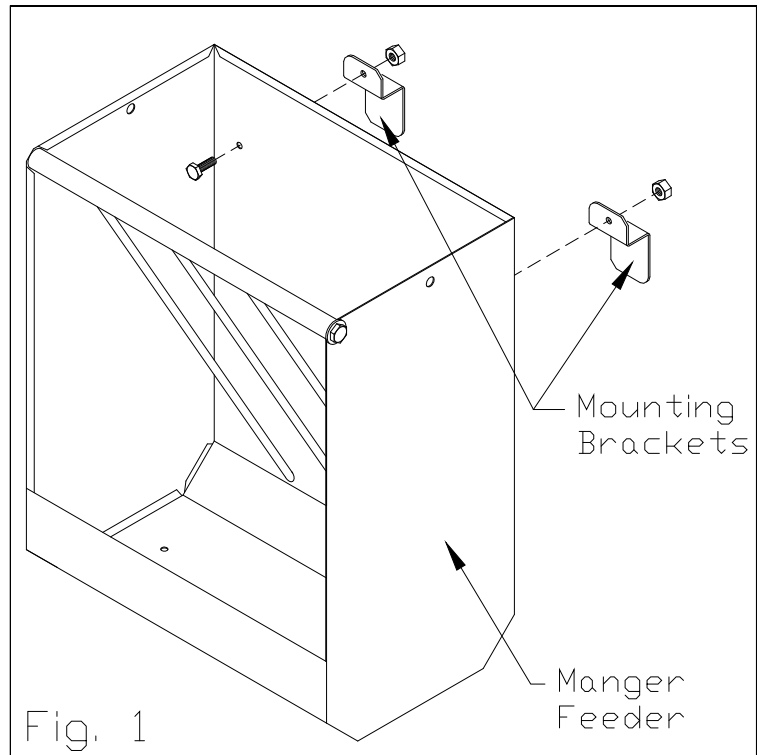
Height – 30 inches
 Width – 24 inches
 Depth – 15 inches
 Weight – 44 lbs.

STEP 1:

Bolt two Mounting Brackets onto the back of the Manger Feeder using (2) 3/8" x 1" bolts and 3/8" nuts. (Shown in figure 1.)

STEP 2:

Hang the Manger Feeder on a panel at the desired height. (See figure 2.)



POWDER RIVER
 • LIVESTOCK HANDLING EQUIPMENT •