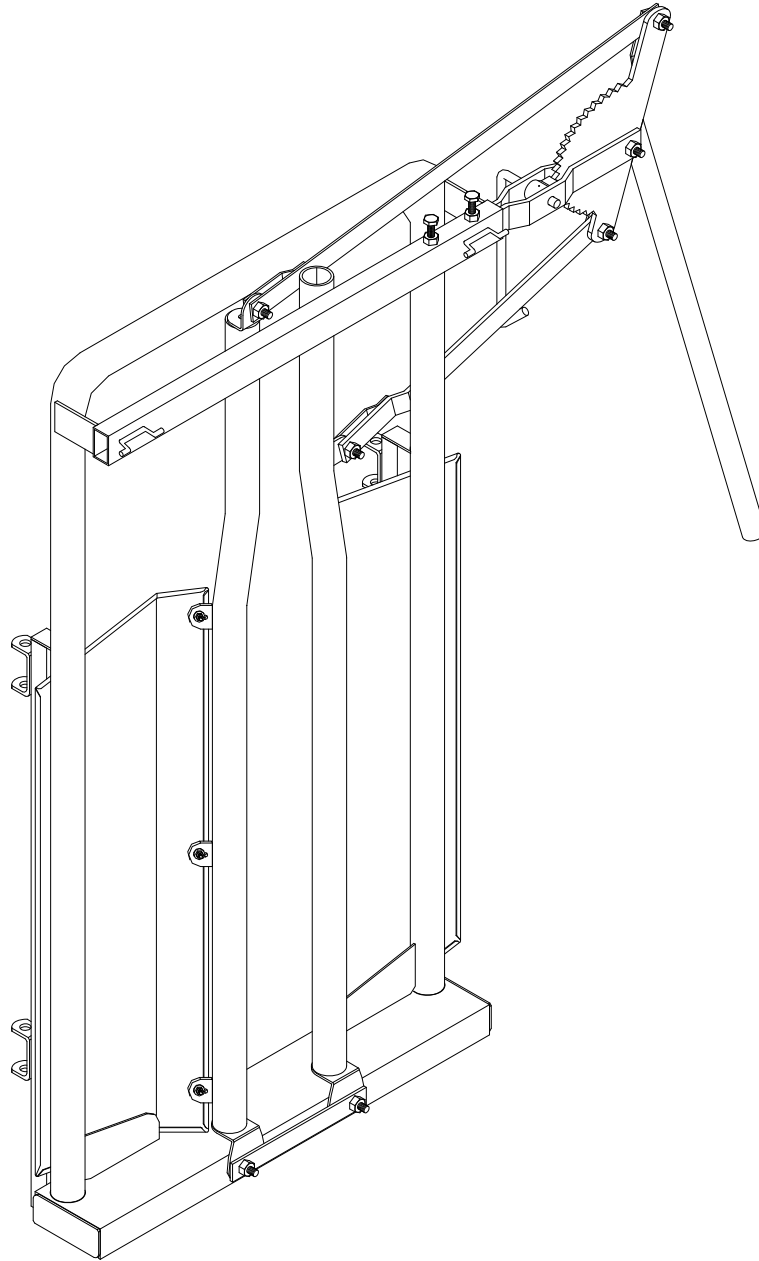


# Manual Value Stanchion

Operating Instructions  
#001-01096



# POWDER RIVER

• LIVESTOCK HANDLING EQUIPMENT •

[www.powderriver.com](http://www.powderriver.com)

1-800-453-5318

We congratulate you on your purchase of the Powder River Manual Value Stanchion! Since 1938, we at Powder River have dedicated ourselves to making America's best livestock handling equipment. You have purchased just one of the many quality products made by Powder River. We are glad that you have chosen our product and hope you will repeat your business.

This guide will facilitate your use of the Manual Value Stanchion. If in the event you have problems that this guide cannot answer we invite you to contact us at [www.powderriver.com](http://www.powderriver.com) or call us at (800) 453-5318.

### Before Getting Started



Please be aware that incorrect use of this product may cause injury to you and/or to your animals. We advise you to take the necessary time to become familiar with the Stanchion before actually operating it with animals. This will enable you to avoid potential injury to yourself and to your animals.

### The Manual Value Stanchion

The Manual Value Stanchion is designed to hold livestock in an accessible position for branding, vaccinating, tagging, dehorning, and holding animals in a position to test for pregnancy, and overall inspection. Before using, the Stanchion should be adjusted to accommodate the animals correctly.



Please be aware, the Manual Value Stanchion is engineered to use in working with **smaller, lighter, and more docile** animals. If you need a Stanchion with heavy-duty capabilities, the Manual Value Stanchion may not be the best option for you. If you require a heavier Stanchion for your operation, we recommend that you use our Classic Manual Stanchion, which is designed to be longer lasting under the most demanding conditions.

### What You Will Need

To assemble, adjust, and operate your new Manual Value Stanchion you will need:

- A 5/16" and 3/4" socket
- A 5/8" wrench
- A hammer
- Lubricant spray

### Getting Started

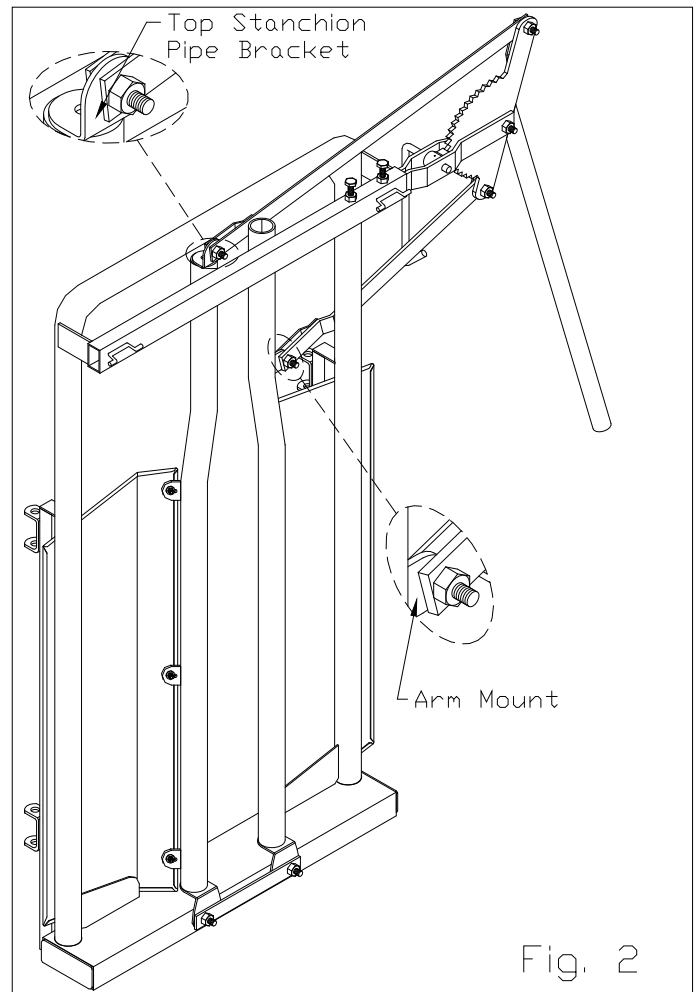
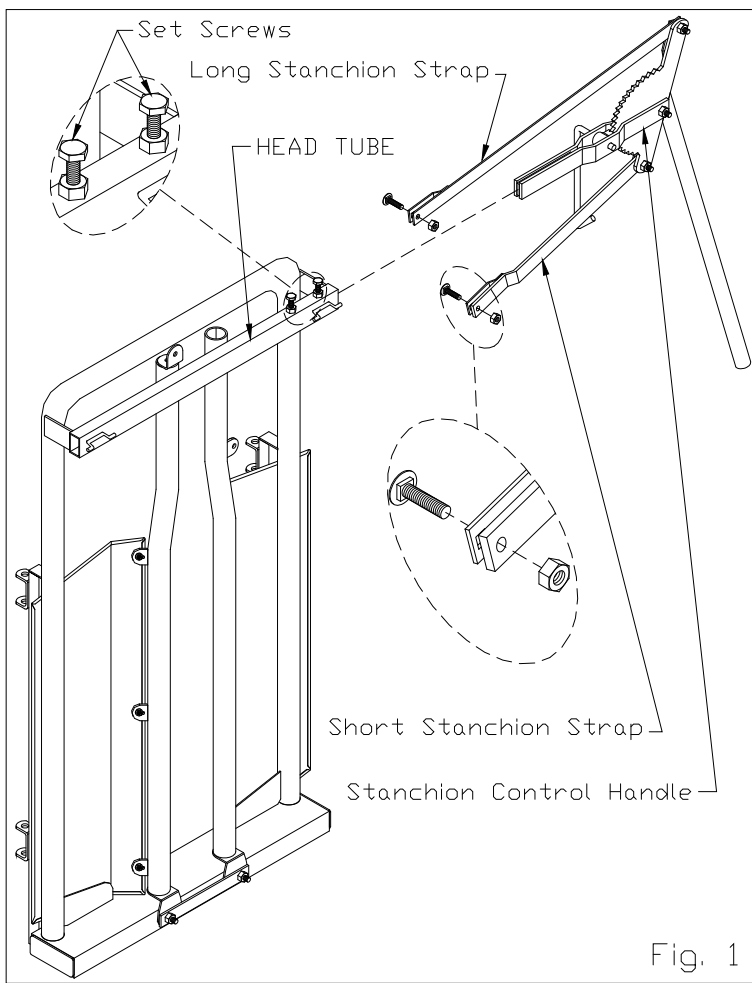
Before your Manual Value Stanchion can be put into use, you will need to install the Stanchion Control Handle Assembly.

1. Remove the Stanchion Control Handle Assembly from the head gate.

Remove the two carriage bolts from the Long and Short Stanchion Straps, and loosen the two Set Screws on the Head Tube as shown in figure 1.

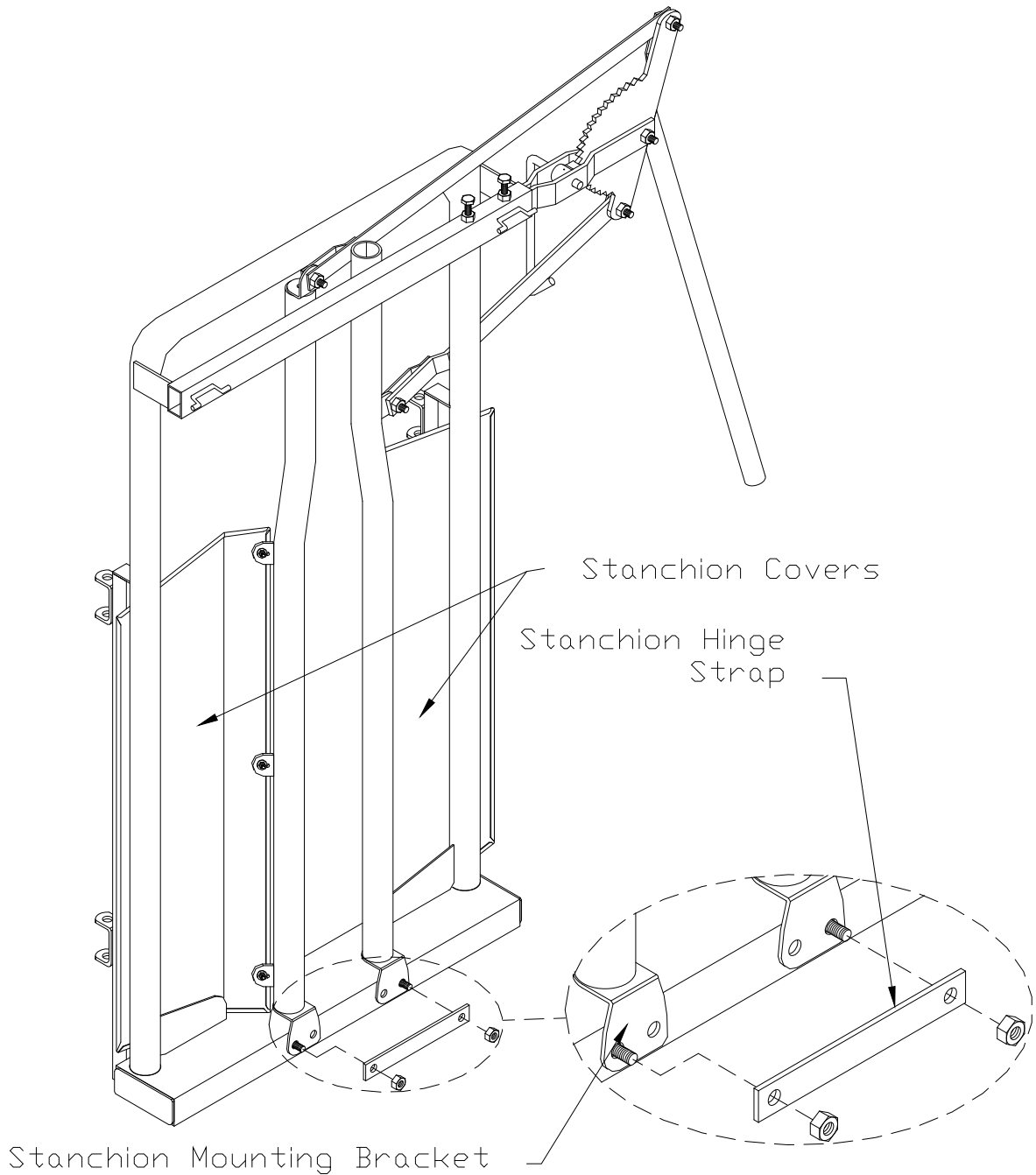
Slide the Stanchion Control Handle all the way into the Head Tube and tighten the Set Screws so that the Control Handle is secured to the head gate as shown in figures 1 and 2.

2. Secure the Long Stanchion Strap to the top bracket on the far Stanchion Pipe as shown in figure 2. Secure the Short Stanchion Strap to the Arm Mount on the Stanchion Pipe as shown.



**Set Up:**

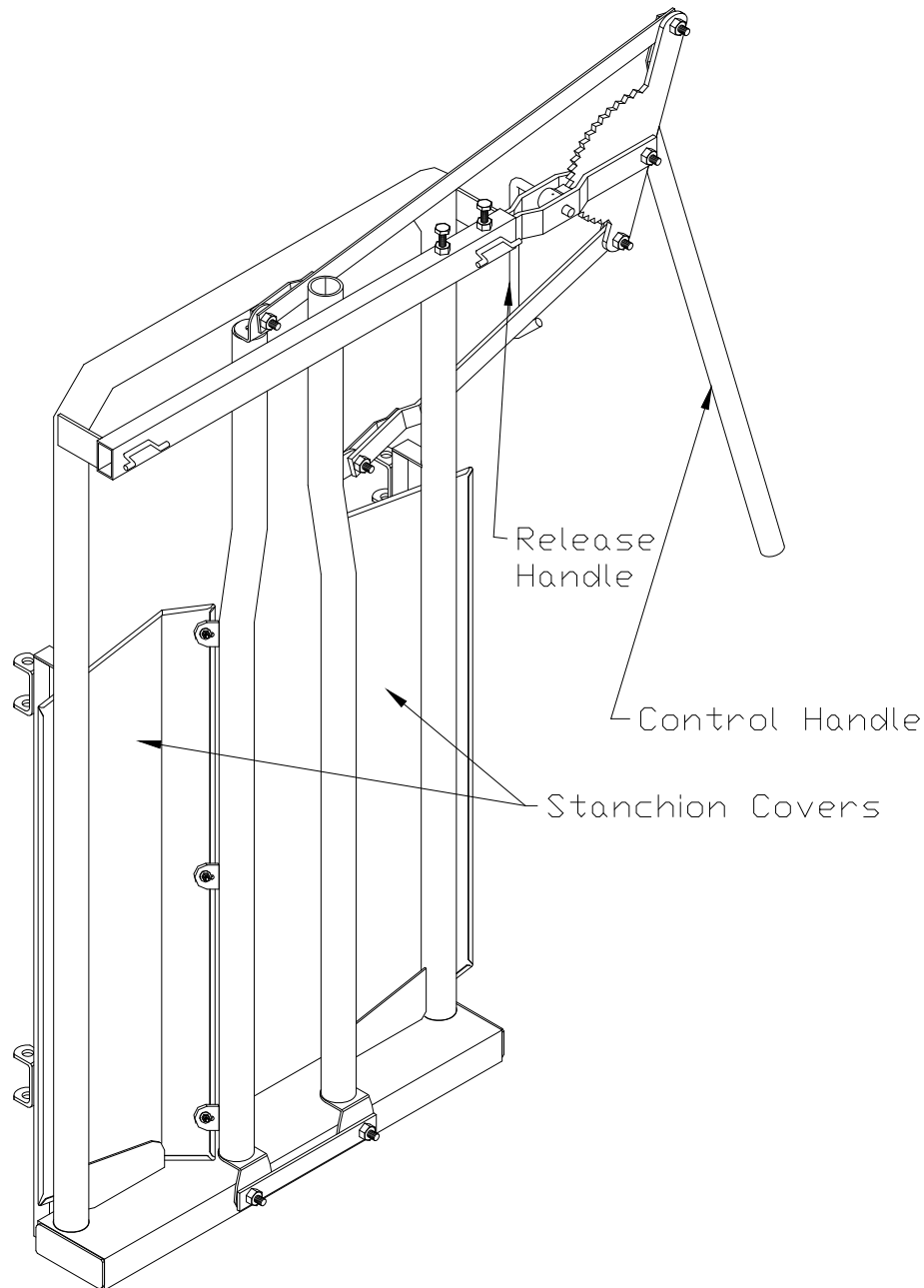
After the Head Stanchion is assembled, it should be adjusted to accommodate the size of the animal. This is the most important step in setting up the head gate. The Manual Value Stanchion has one adjustment that can be made to better fit the size of the animal.



You're able to adjust the opening size of the head gate by removing the Stanchion Hinge Strap at the bottom of the Stanchion and moving between the two holes on the Stanchion Mounting Bracket. The outside holes on the Stanchion Mounting Brackets are for smaller animals and the inside holes are for larger animals. *(The Stanchion will come from the factory set in the narrow position.)*

## The Manual Value Stanchion and its Working Parts

Before actually operating the Manual Value Stanchion with an animal we suggest that you become familiar with the working parts.



The stanchion covers on the head gate are opened by pulling the Release Handle on the Stanchion Control Handle towards you and at the same time lifting up on the Control Handle, until the Stanchion is open approximately 3-4 inches wider than the head size of the animal.

With the stanchion covers open, the animal will move towards the head stanchion opening. The Stanchion Covers must close as the animal's head comes out the front of the Stanchion catching the animal between its head and shoulders. Simply pull down on the Stanchion Control Handle to close the Stanchion Covers.



# The Manual Value Stanchion and Replacement Parts

