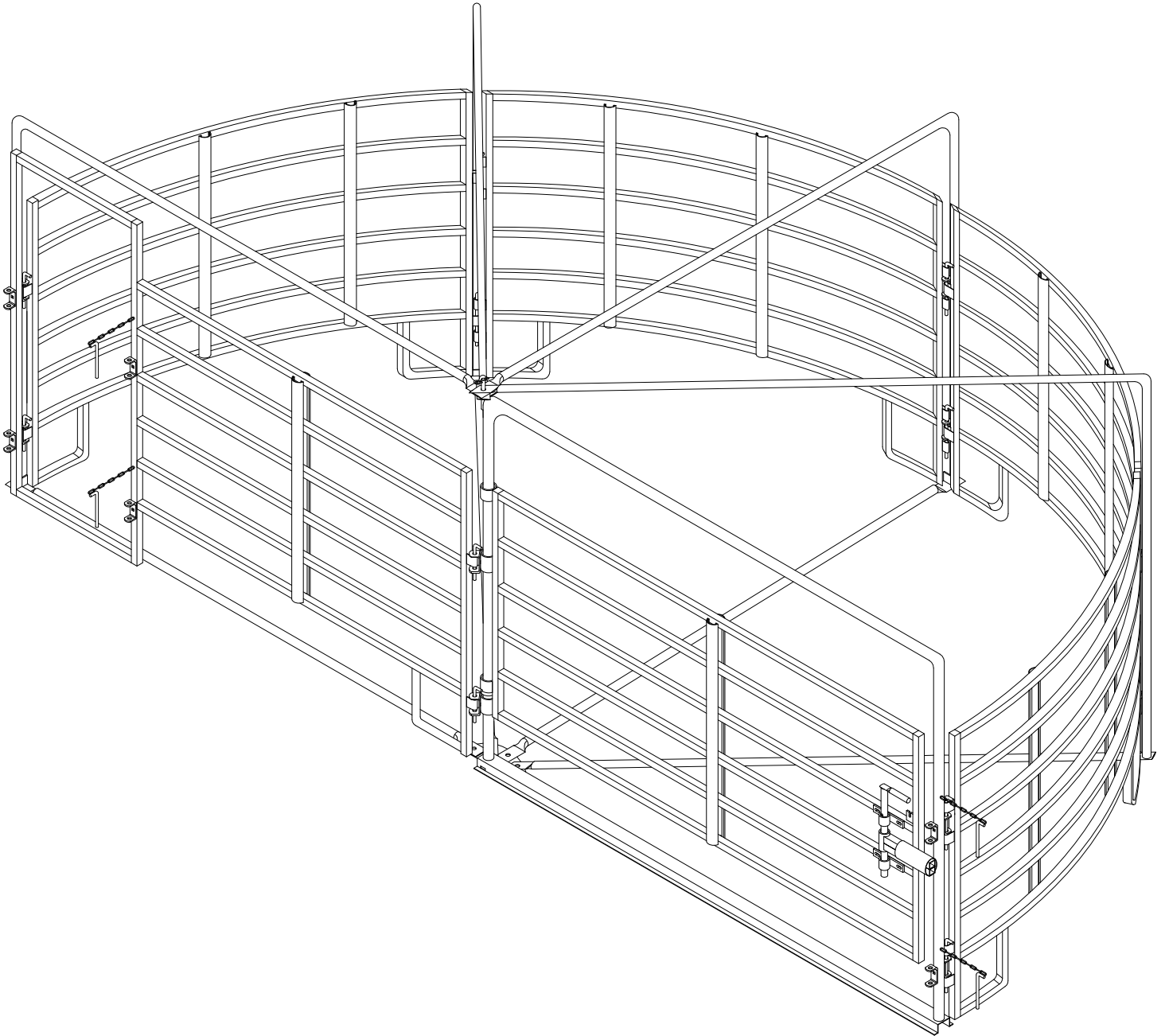


PORTABLE SWEEP TUB

ASSEMBLY INSTRUCTIONS

#005-00180



POWDER RIVER

• LIVESTOCK HANDLING EQUIPMENT •

www.powderriver.com

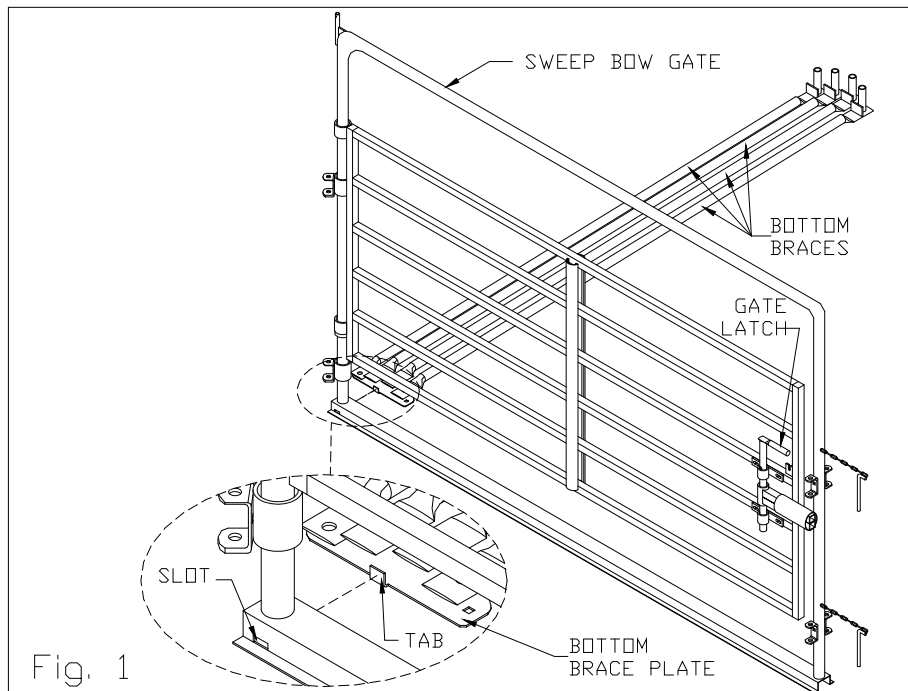
1-800-453-5318

STEP 1:

Pace the hinge side of the Sweep Bow Gate where the center of the sweep will be located. Then take the four Bottom Braces and raise the end opposite of the Bottom Brace Plate in the air, until the tab on the Brace Plate can be slid into the slot which is located on both sides of the Bow Gate, as shown in figure 1.

**CAUTION!**

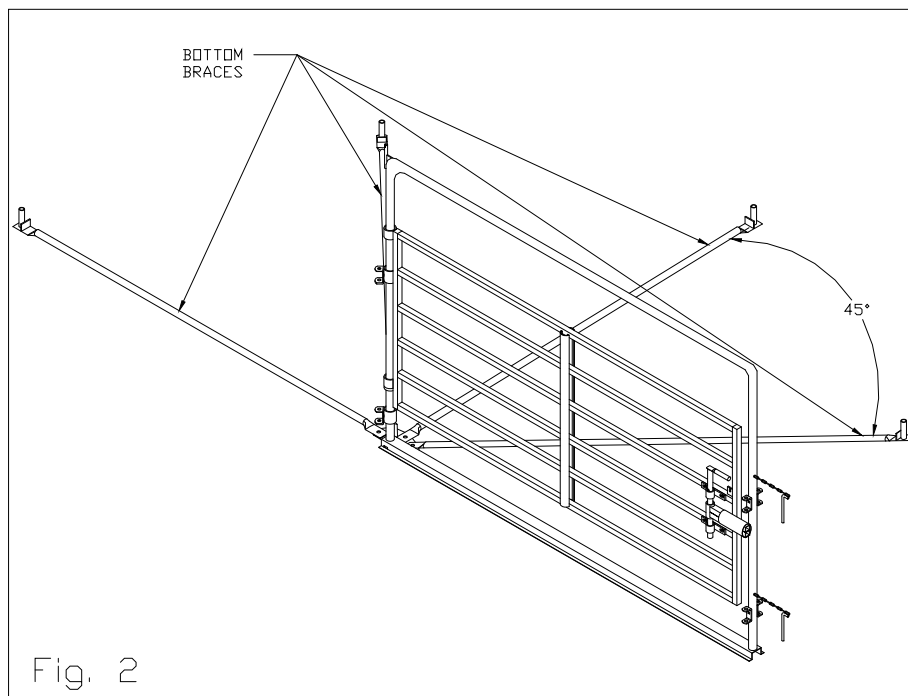
GATES AND PANELS ARE HEAVY AND WILL FALL OVER IF NOT PROPERLY SUPPORTED WHILE BEING INSTALLED!



NOTE: The slots on the Bow Gate are for assembling the sweep tub on either side of the gate. When assembling the tub on the opposite side of the Bow Gate as shown, you will need to move the Gate Latch to the other side of the gate. You will also need to move the far left Bottom Brace to the open hole on the right side of the Brace Plate.

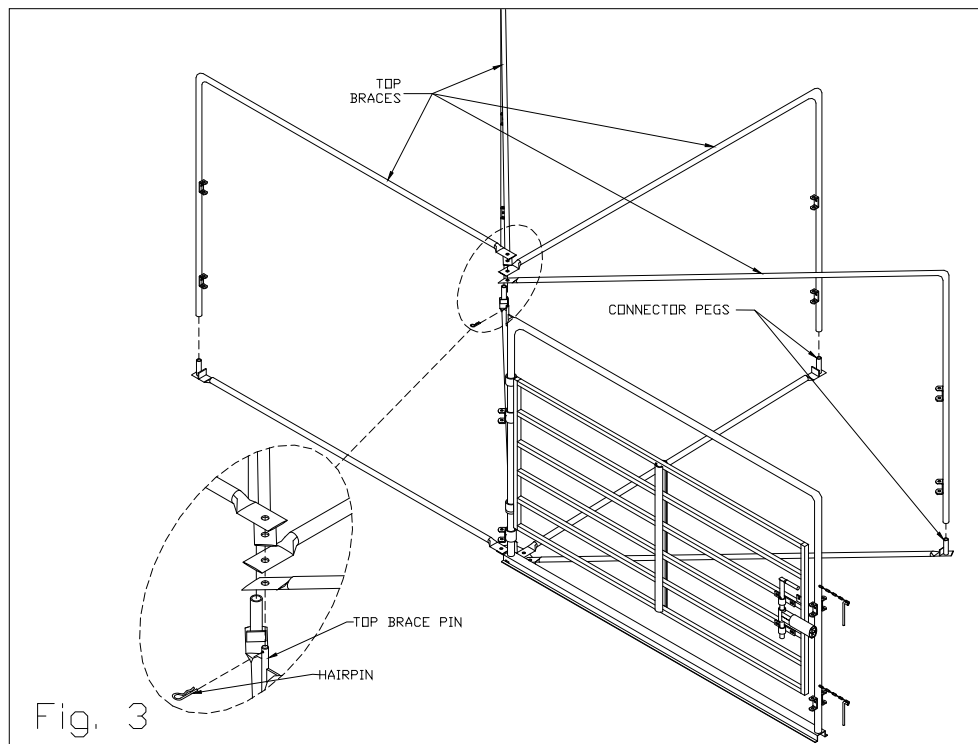
STEP 2:

Position the ends of the Bottom Braces about 45° apart as shown in figure 2.



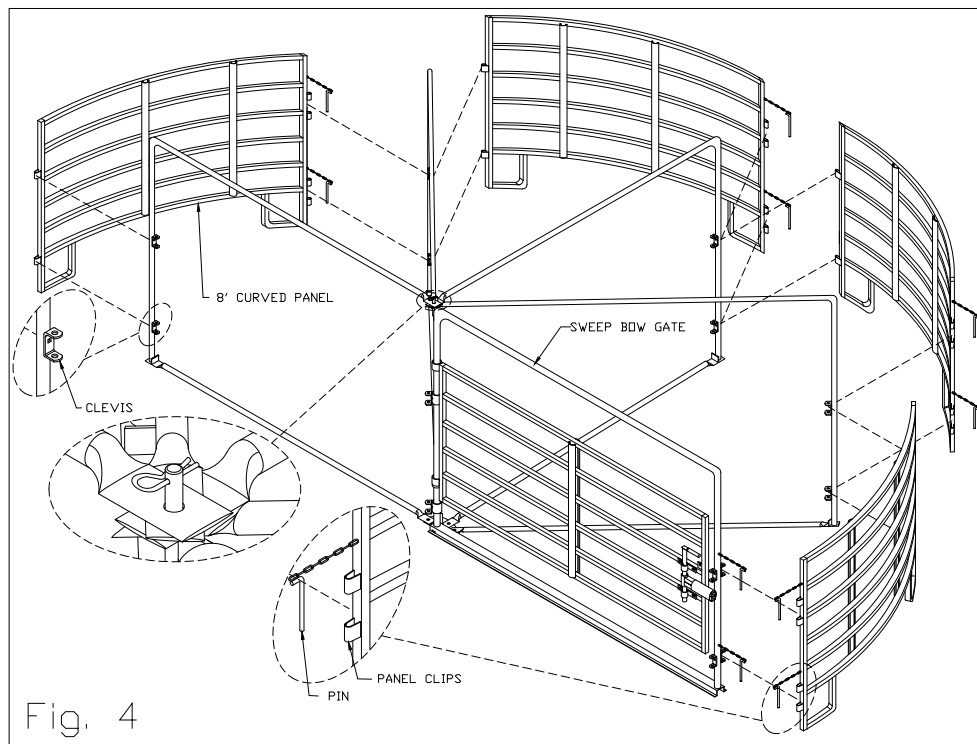
STEP 3:

Place the Top Braces one at a time onto the Connector Pegs and through the Top Brace Pin. Secure the Top Braces by inserting the Hairpin through the Brace Pin, as shown in figure 3.

**STEP 4:**

Beginning with the Curved Panel closest to the Bow Gate, slide each panel into place one at a time. Secure each Curved Panel and Top Brace together by placing a pin through the panel clips and clevises, as shown in figure 4.

(Refer to figure 5 for a picture of the panels secured together.)



STEP 5:

Slide the 10' Panel With Bow into place. Secure it to the Bow Gate by placing the pins through the panel clips and clevises. Then secure it to the Curved Panel and Top Brace as shown in figure 5.

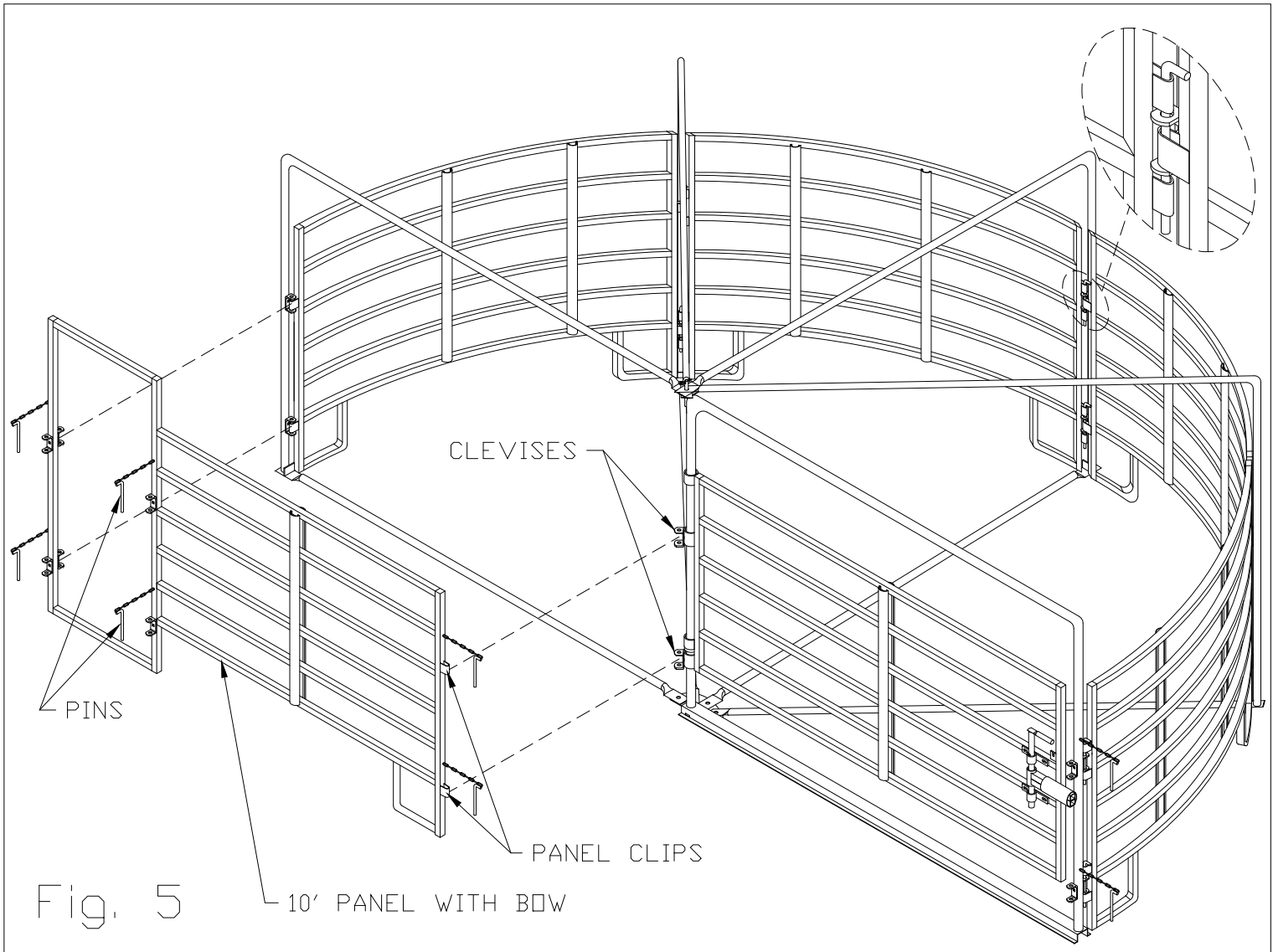


Fig. 5