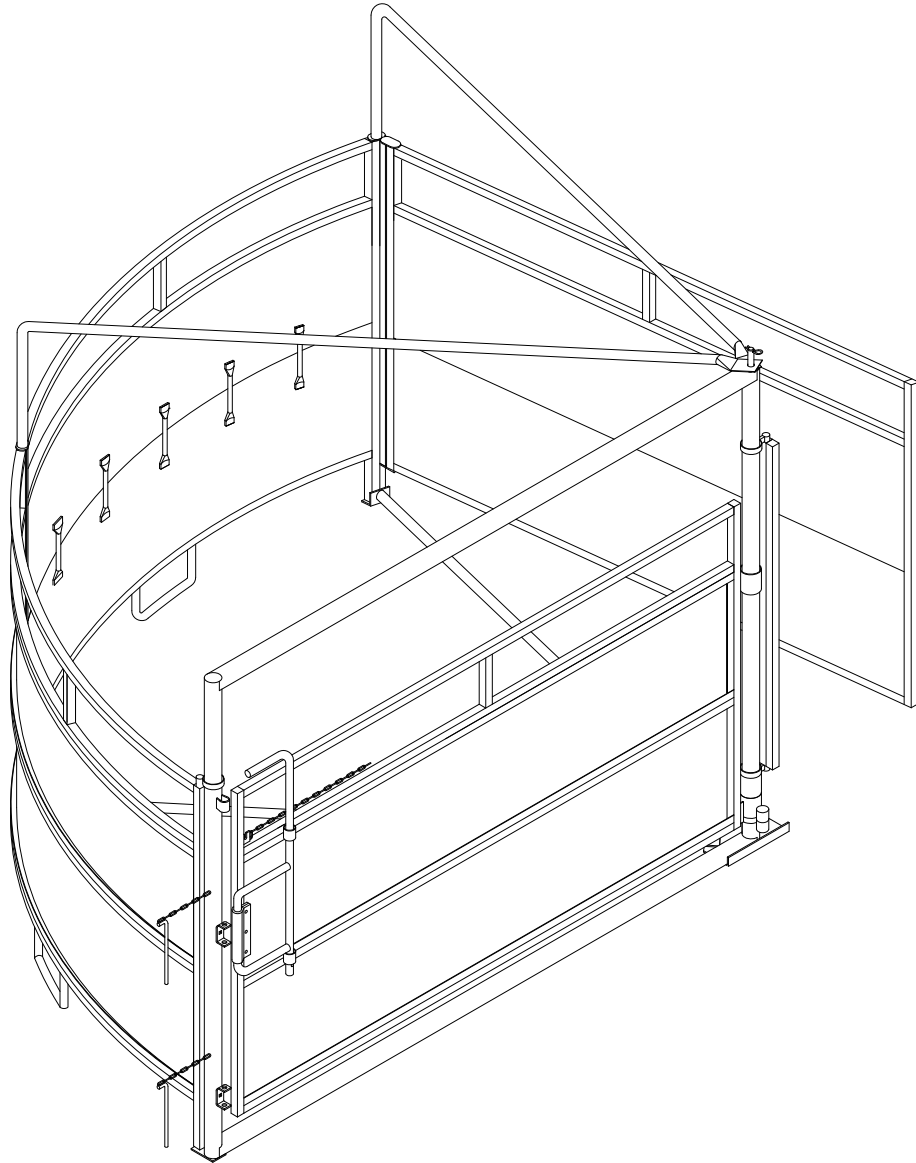


SYSTEM 2000

16' (RH) SWEEP TUB

ASSEMBLY INSTRUCTIONS

#007-50840



POWDER RIVER

• LIVESTOCK HANDLING EQUIPMENT •

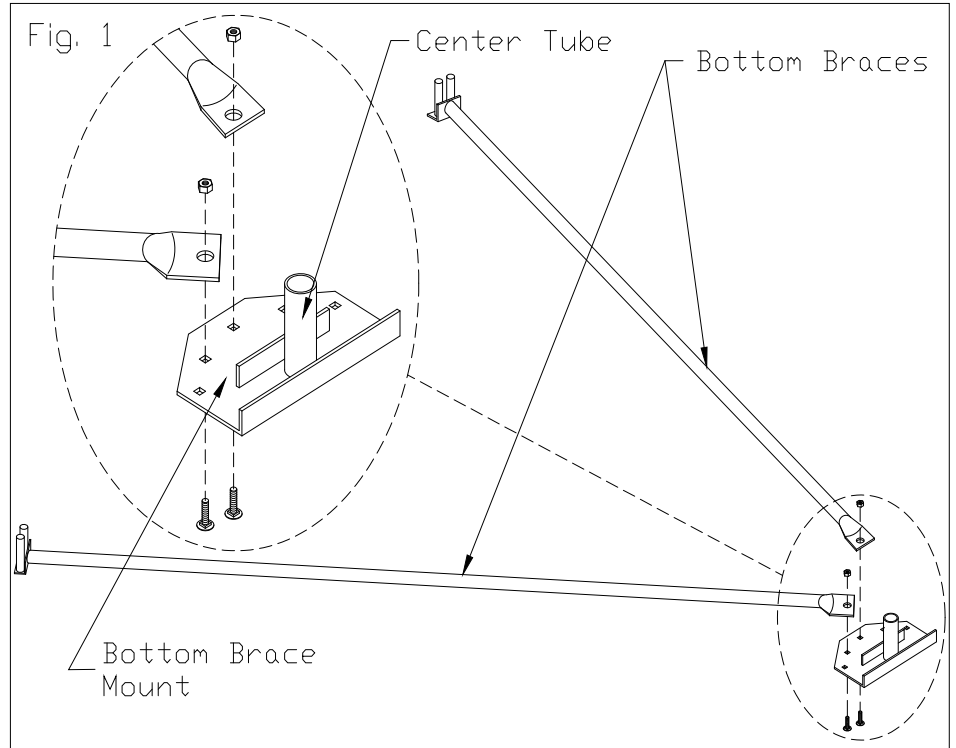
www.powderriver.com

1-800-453-5318

STEP 1:

Secure the Bottom Braces to the Bottom Brace Mount with (2) 1/2" x 1-1/4" carriage bolts and 1/2" lock nuts as shown in figure 1.

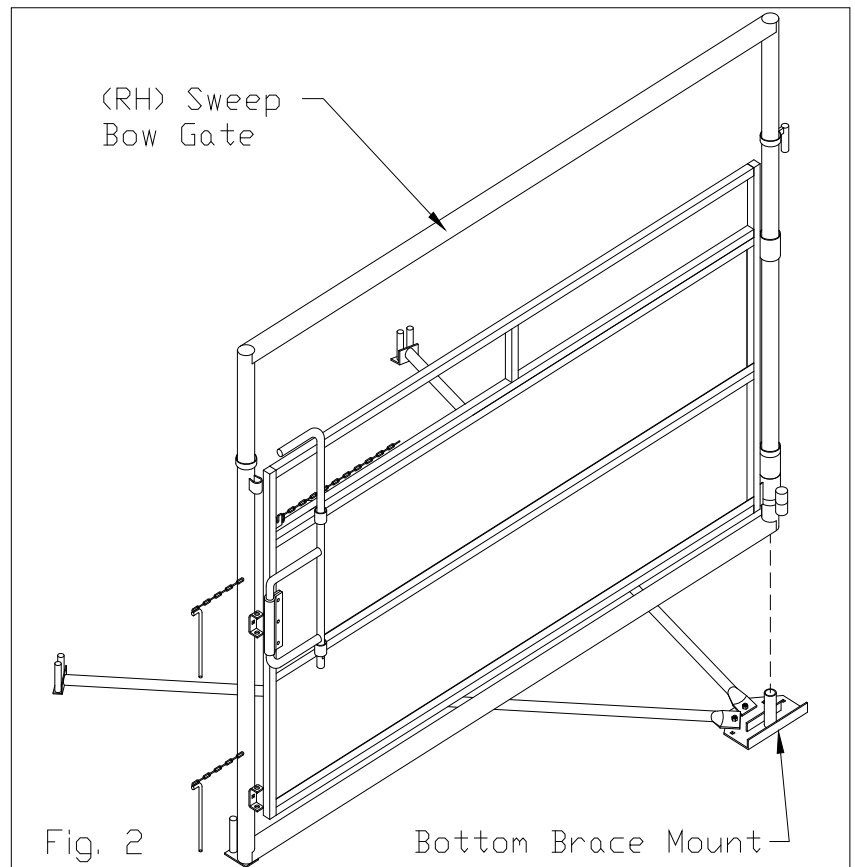
Place the center of the Bottom Brace Mount where you want the Tub to sit and alley to begin.

**CAUTION!**

GATES AND PANELS ARE HEAVY AND WILL FALL OVER IF NOT PROPERLY SUPPORTED WHILE BEING INSTALLED. IT IS BEST TO USE A FORKLIFT OR TRACTOR TO LIFT THE HEAVY ITEMS!

STEP 2:

Slide the (*right-hand*) Sweep Bow Gate onto the center tube on the Bottom Brace Mount as shown in figure 2.



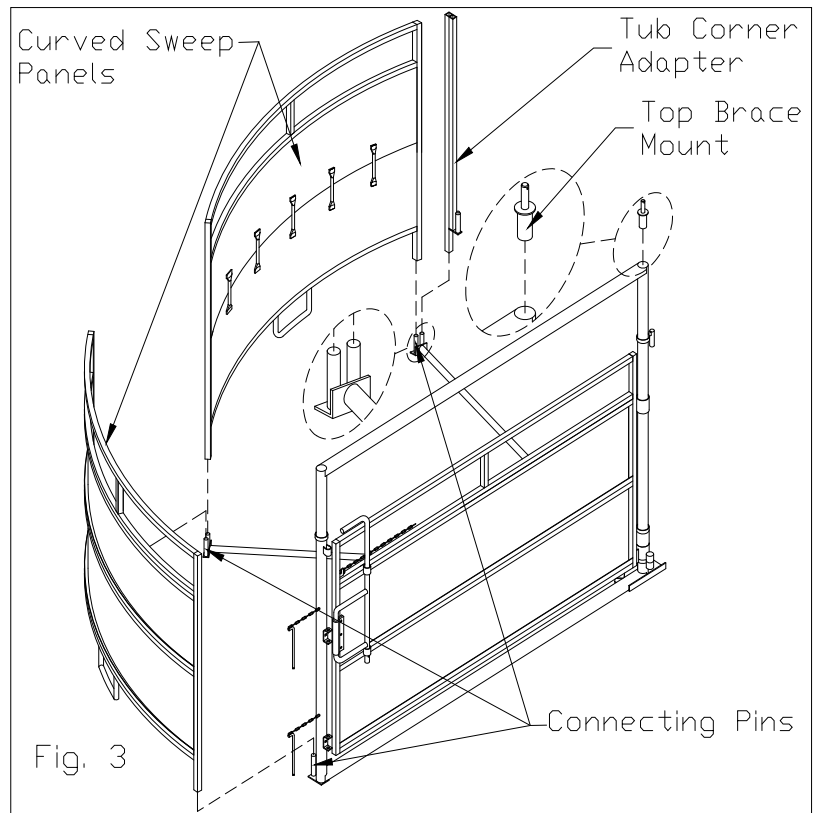
POWDER RIVER
• LIVESTOCK HANDLING EQUIPMENT •

STEP 3:

Slide the Curved Sweep Panels onto the connecting pins on both the Bottom Brace and the Sweep Bow Gate as shown in figure 3.

Place the Tub Corner Adapter on the Bottom Brace connector pin as shown.

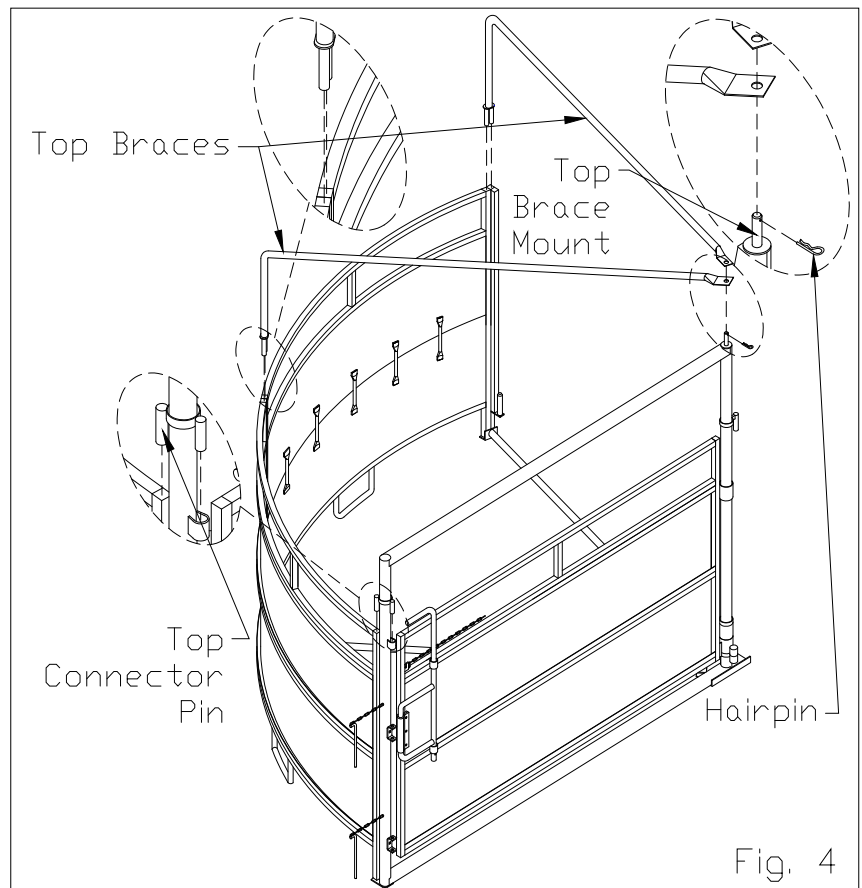
Place the Top Brace Mount into the end tube of the Sweep Bow Gate as shown in figure 3.

**STEP 4:**

Secure the Sweep Bow Gate to the Curved Sweep Panel by sliding the top connector pin into the end tube on the curved panel as shown in figure 4.

Place the Top Braces onto the Top Brace Mount and into the end tubes of the Curved Sweep Panels and Tub Corner Adapter as shown.

Secure the Top Braces to the Bow Gate by inserting the hairpin through the Top Brace Mount as shown in figure 4.



STEP 5:

Slide the Straight Alley Panel onto the bottom connector pins on the Tub Corner Adapter as shown. Secure the Straight Alley Panel in place by placing the Top Connector into the end tubs on the Alley Panel and Corner Adapters as shown in figure 5.

Place the Alley Adapter onto the Bottom Connector Pin on the Bow Gate and Roll Gate. Slide the Top Connector Pins down to secure it to the both Gates as shown.

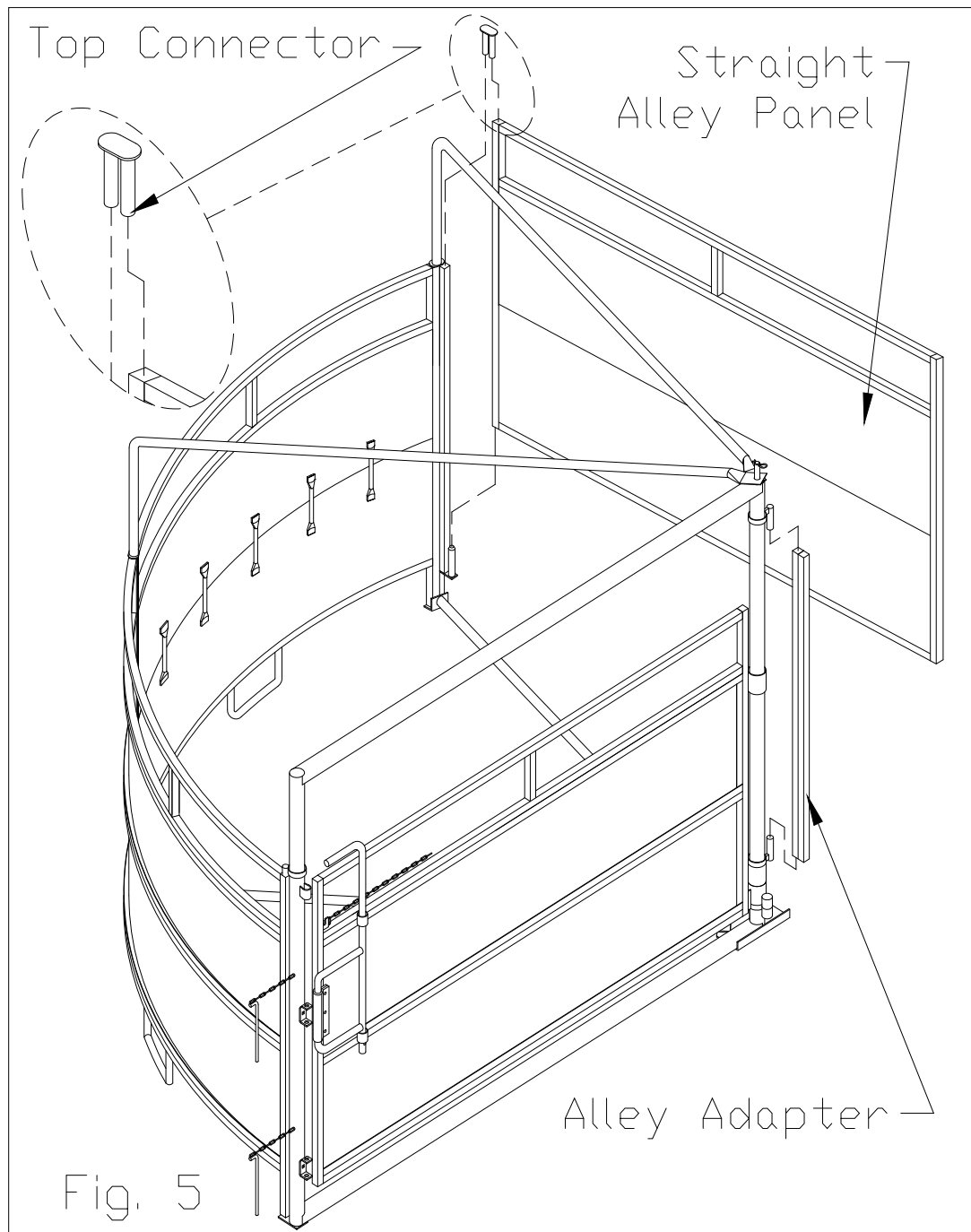


Fig. 5