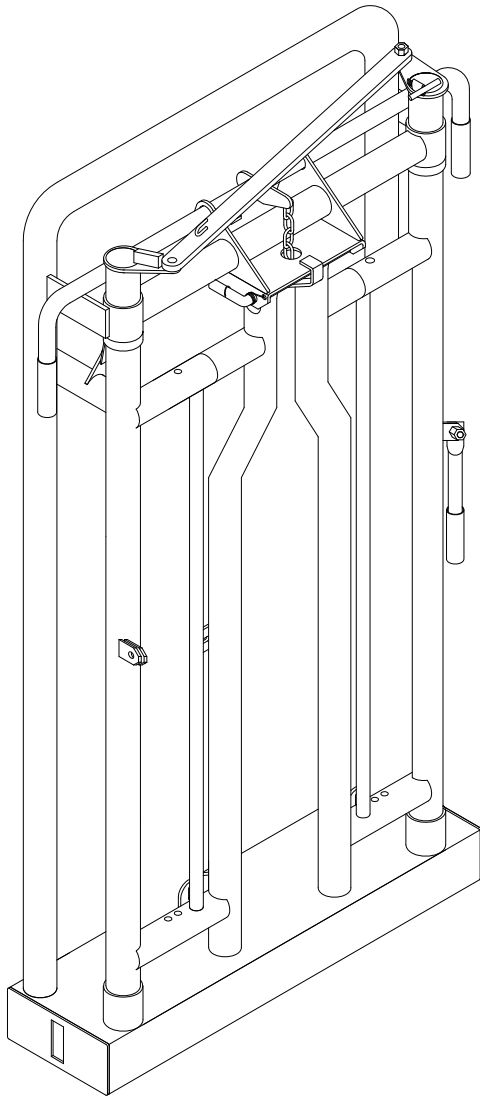


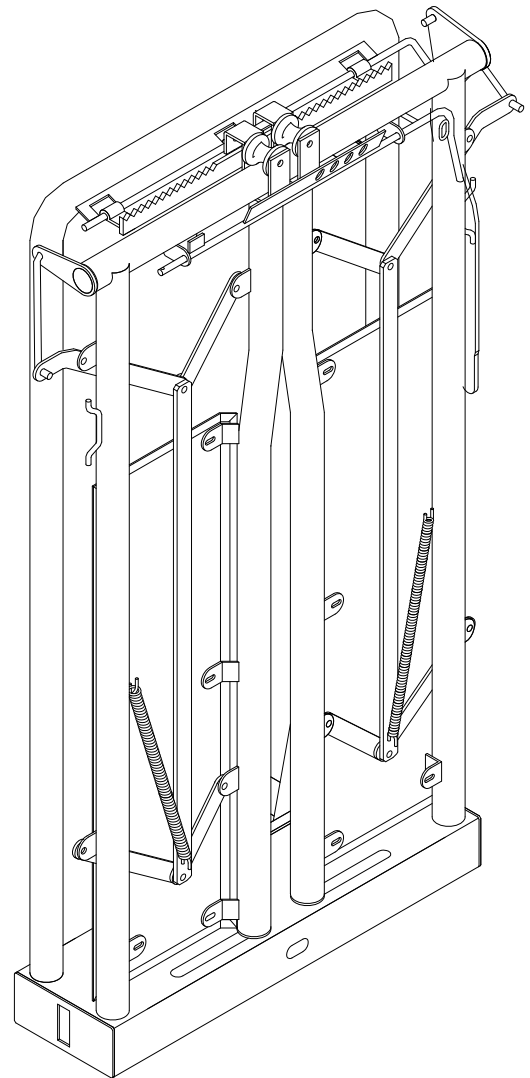
# Value I & II Head Gates

## Operating Instructions



Value I Head Gate

001-01085



Value II Head Gate

001-01092

# POWDER RIVER

• LIVESTOCK HANDLING EQUIPMENT •

[www.powderriver.com](http://www.powderriver.com)

1-800-453-5318

We congratulate you on your purchase of the Powder River Value Head Gate! Since 1938, we at Powder River have dedicated ourselves to making America's best livestock handling equipment. You have purchased just one of the many quality products made by Powder River. We are glad that you have chosen our product and hope you will repeat your business.

This guide will facilitate your use of the Value Head Gate. If in the event you have problems that this guide cannot answer we invite you to contact us at [www.powderriver.com](http://www.powderriver.com) or call us at (800) 453-5318.

## Before Getting Started



Please be aware that incorrect use of this product might cause injury to you and/or your animals. We advise you to take the necessary time to become familiar with the head gate before actually operating it with animals. This will enable you to avoid potential injury to yourself or to your animals.

## The Value Head Gates

The Value Head Gates are designed to hold livestock in an accessible position for branding, vaccinating, tagging, dehorning, and holding animals in a position to test for pregnancy, and overall inspection. Before using, your head gate should be adjusted to accommodate the animals correctly.



Please be aware, the Value Head Gates are engineered to use in working with **smaller, lighter, and more docile** animals. If you need a head gate with heavy-duty capabilities, a value head gate may not be the best option for you. If you require a heavier head gate for your operation, we recommend that you use our Heavy Duty Head Gates, which are designed to be longer lasting under the most demanding conditions.

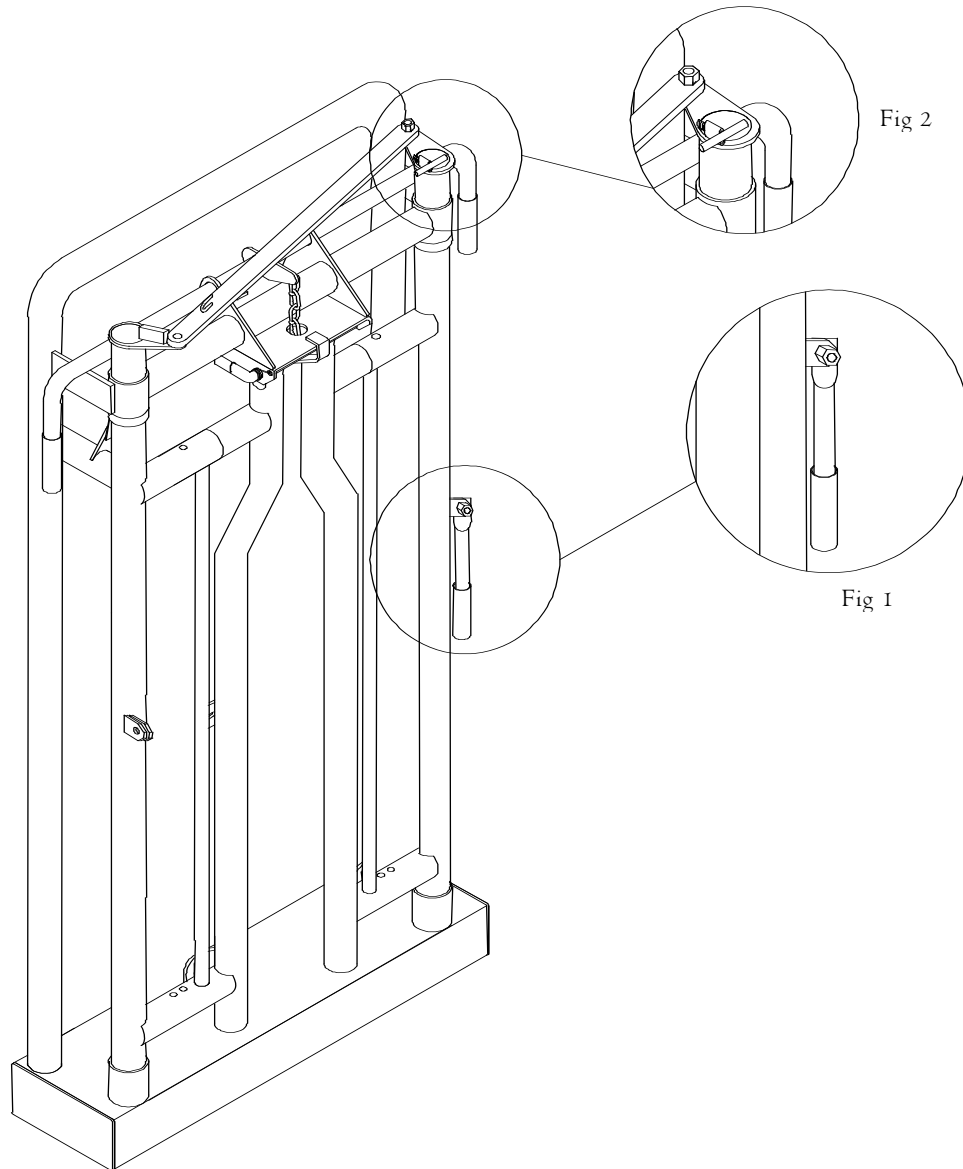
## What You Will Need

To adjust your new Value Head Gate for operation you will need:

- A ten-inch adjustable wrench
- A hammer

## Value I Head Gate (001-01085)

Many of the bolts on the Value I Head Gate have been tightened for shipping and will need to be loosened for optimal operation. You will only need to loosen the bolts enough to allow free movement of the head gate joint. Do not completely remove the bolts or loosen them too much.



1. On the front of the Value I Head Gate there is a handle with yellow grip half way down the frame, as show in Fig. 1. This Side Stanchion handle is held in position by a single bolt. This bolt needs to be loosened just enough to allow the stanchion handle to move freely between a vertical position and horizontal position. Generally this bolt only needs one full rotation with a wrench to loosen it properly.
2. Directly above the Side Stanchion handle there is a bar that crosses the frame with a spring attached to it; this is the Top Linkage. It is shown more closely in Fig. 2. The two bolts holding the Top Linkage should be loosened enough for the head gate to operate freely.

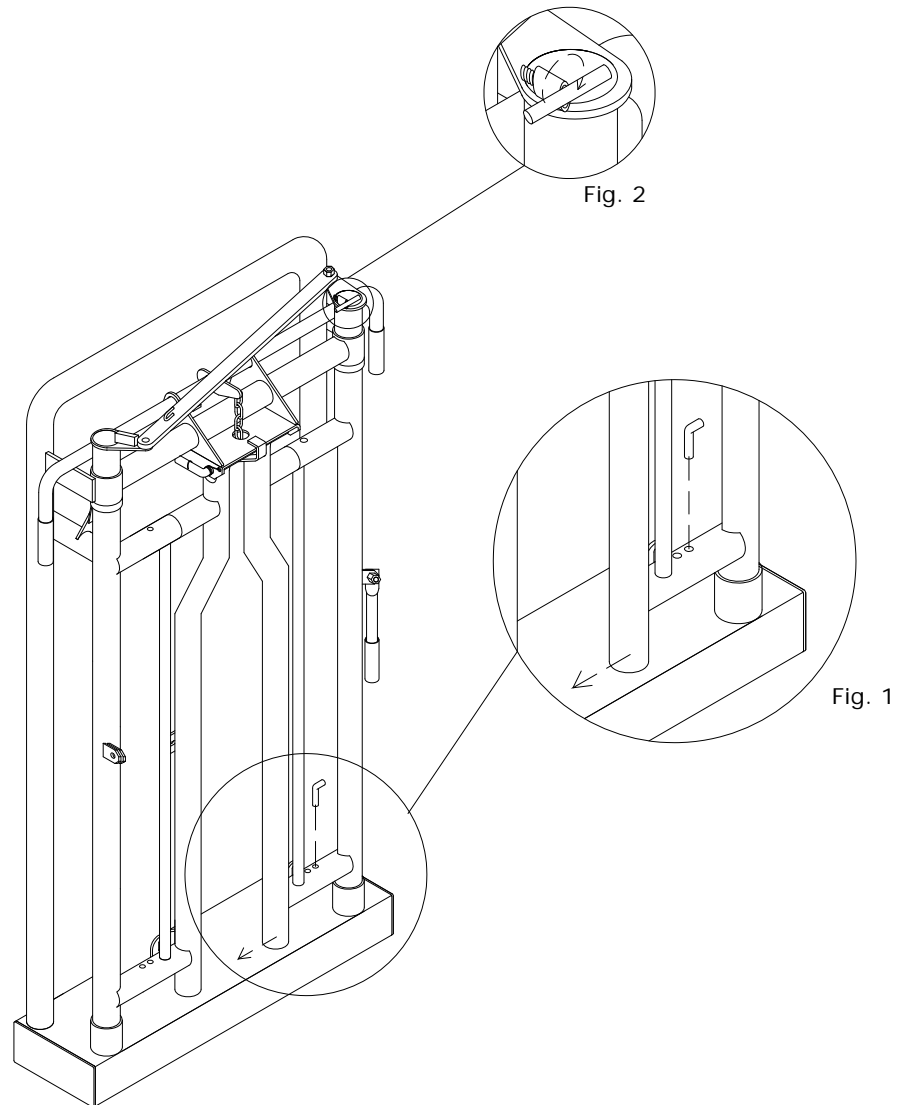
## Value I Head Gate Set Up:

After all of the necessary bolts have been loosened the head gate should be adjusted to accommodate the size of the animal. This is the most important step in setting up your head gate. The Value I Head Gate can be adjusted in two ways. The first of these adjustments changes the size of the head gate to better fit the size of the animal. The second adjustment opens the gate more from the animal's vantage point, which helps lure the animal into the head gate.

1. The first adjustment changes the opening size of the head gate. Above the Side Stanchion lever and to the inside of the frame there is an upside down "L" shaped pin, called the Stanchion Adjustment pin. There is one on each corner of the head gate, shown in Fig. 2. Make sure that the head gate is in the closed position. Take a hammer and remove the Stanchion Adjustment pins by tapping them from the bottom up and then hitting the bent arm of the "L" until the pins are fully removed. Gently tap the inside frame of the head gate with a hammer, alternating hitting the top and the bottom, until the holes of the sleeves are aligned.

The pin fits into two different holes. The outside hole is for larger animals and the inside hole is for smaller animals. **This is the most important adjustment that you can make on the head gate.** If the hole is too big for animals, they will run through the closed head gate and lock their hips in the head gate causing potential injury. If the hole is too small for the animal the gate may close too tight on the animals neck resulting in possible injury.

2. The second adjustment is setting the headgate at a width that will be large enough for the animal's head to fit through while the shoulders push it into locked position. Turning the T-screw located on the top of the head gate frame, shown in Fig. 2, clockwise will close the headgate opening, and turning it to the left will open the gate further. If the gate is too far closed the animal is likely to balk at entering the head gate. Turning the screw should increase the appearance of the opening size, causing the animal to proceed through the head gate.



## The Value I Head Gate

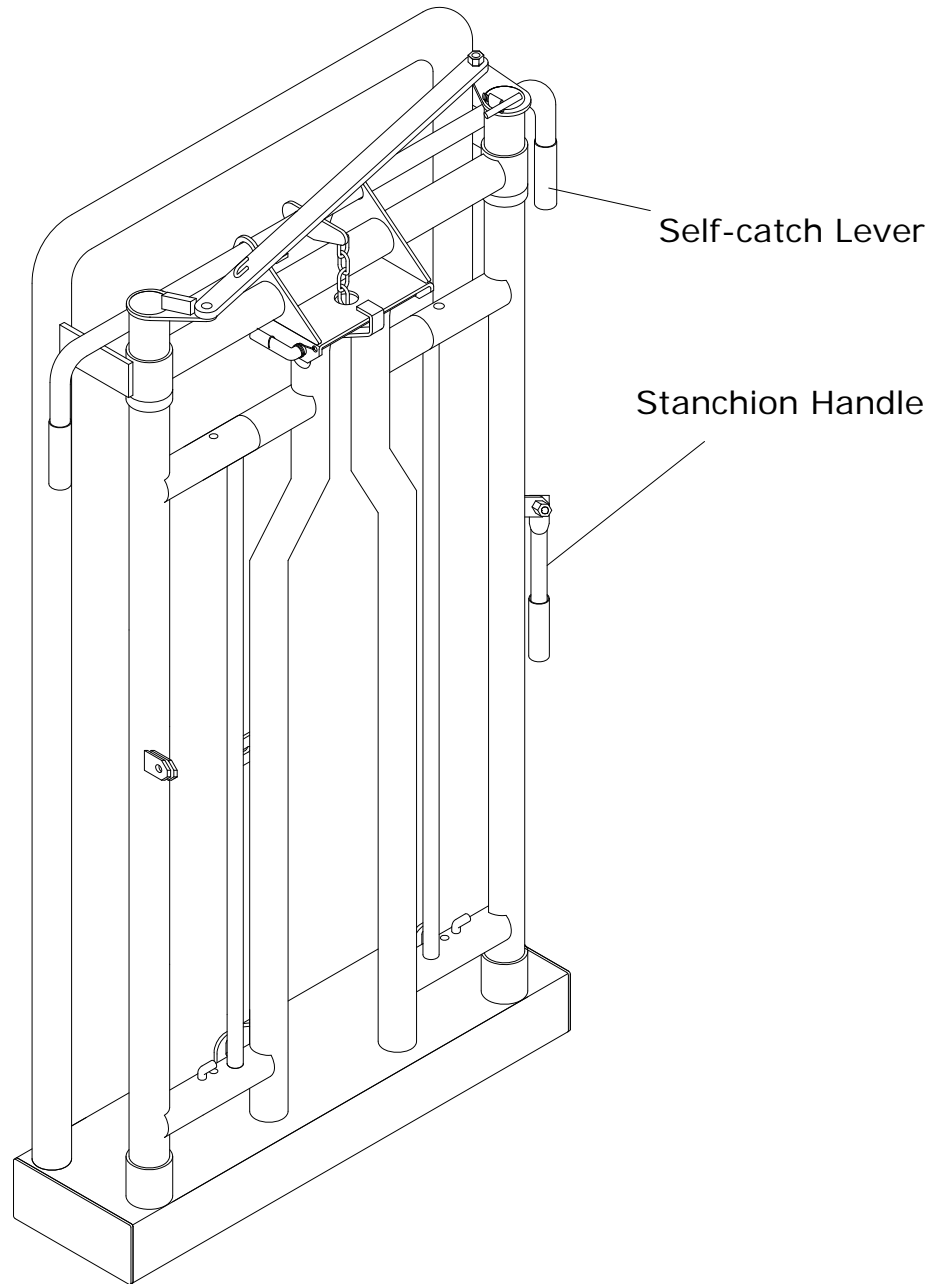
Before actually operating the Value I Head Gate with an animal we suggest that you become familiar with the working parts.

The Head Gate has three positions: 1-Cocked, 2-Closed, and 3-Open. Above the self-catch head gate is the Self-catch Lever. This lever cocks, closes and opens the self-catch head gate.

To cock the self-catch head gate into position, push the self-catch lever towards the rear of the chute. The gate's doors will automatically swing back, and into the cocked position. The head gate should always be set to the cocked self-catch position before an animal actually enters the chute.

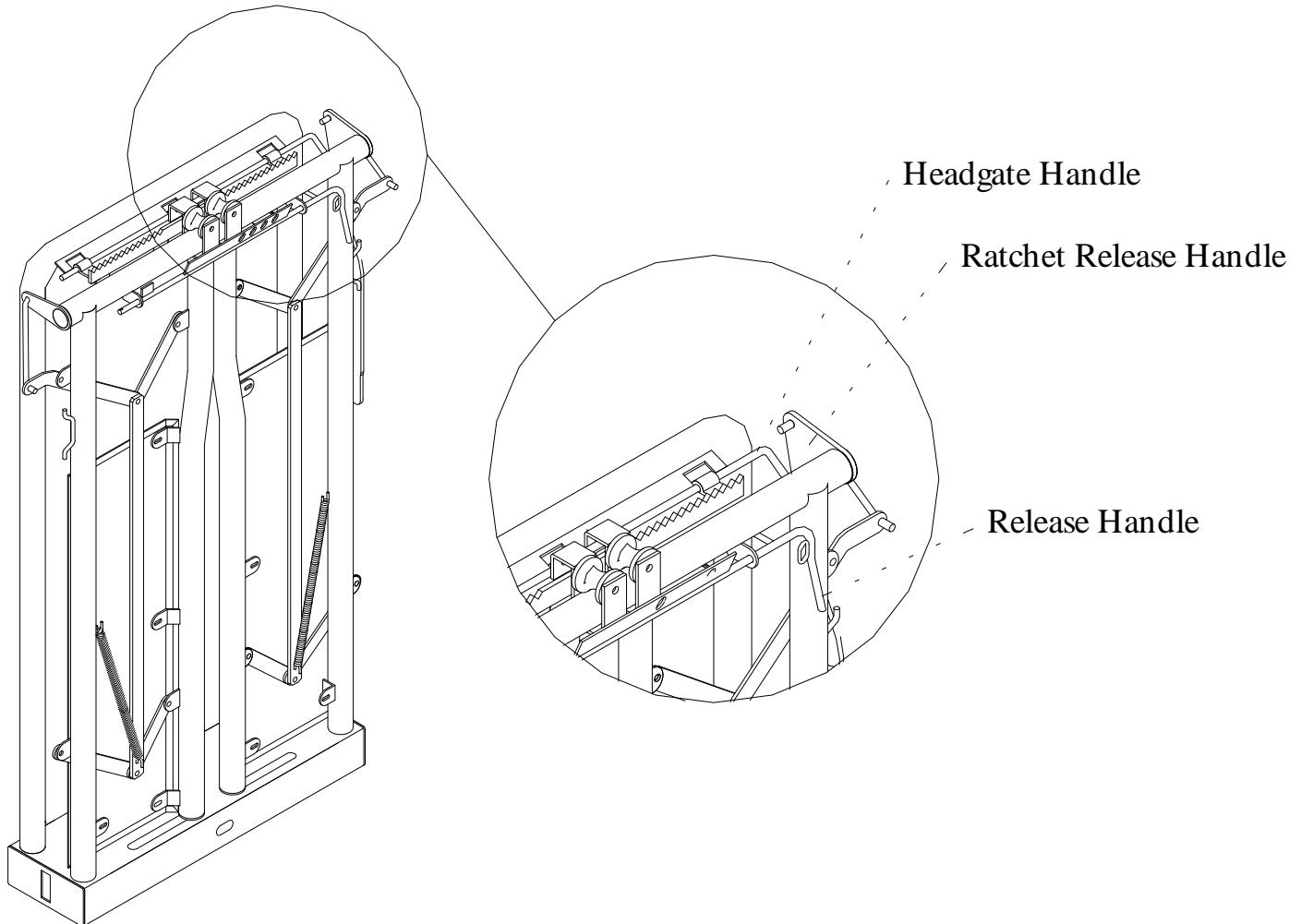
The second position of the self-catch head gate is the closed position. When the animal enters, it's shoulders will push the head gate from the cocked position into the closed position holding it's head in the head gate. To put the head gate in the closed position without an animal closing the gate, use the Side Stanchion Handle.

The third position is open. To open the self-catch head gate, pull the lever away from the front end of the chute. Usually this will be enough to release the animal, but if the animal doesn't push itself through the gate, use the Side Stanchion handle to help open the gate. The Side Stanchion handle should be pulled in a swinging motion towards the side of the head gate, while holding the self-catch head gate in the open position. The gate's doors will swing out completely opening up the head gate.



## Value II Head Gate (001-01092) Setup

All of the necessary bolts on the Value II Head Gate should already be loose enough to allow proper operation. The Head Gate simply needs to be adjusted to accommodate the size of the animal. The adjustment opens the gate more from the animal's vantage point, which helps lure the animal into the chute.



The adjustment changes the opening size of the head gate. At the top of the head gate frame there are three levers, as shown. The largest is called the Head Gate Handle. The second is a thin bar called the Ratchet Release Handle, and the third is another thin bar out towards the front of the head gate with a rope attached to it called the Release Handle. To set the width of the head gate, pull the Release Handle down so the handle is free to slide along the front of the head gate. Then with one arm, pull down the Ratchet Release Handle, and with the other arm pull the Head Gate Handle towards the head gate.

There are four different settings on the head gate, corresponding with the slots on the flat bar attached to the Release Handle. By pushing and pulling the Head Gate Handle, set the opening at the desired size. Align the slots on the flat bar with the pin on the top of the stanchions, by sliding the Release Handle along until the correct setting is found and pushing the bar until the pin is inside the appropriate slot. Then re-engage the ratchet by pulling down the Ratchet Release Handle.

## The Value II Head Gate

Before actually operating the Value II Head Gate with an animal, we suggest that you become familiar with the working parts.

The Head Gate has three positions: 1-Cocked, 2-Closed, and 3-Open.

To operate as a self-catching head gate, be sure that the width is set correctly. The head gate should be already in cocked position if the width was just set.

The second position of the self-catch head gate is the closed position. When the animal enters the head gate, it's shoulders will push the head gate from the cocked position into the closed position, holding the animal's head in place. To put the head gate into the closed position without an animal closing the gate, simply pull on the rope attached to the Release Handle. The ratchet on the top of the head gate will be released and the front doors will immediately shut. To operate as a manual head gate, wait until the animal's head is through the opening in the front of the head gate and pull the rope. This should trip the head gate and lock the animal into place.

The third position is open. To open the head gate, pull the Ratchet Release Handle away from the front end of the head gate. Then push the Head Gate Handle until the opening is large enough for an animal to escape.

## The Value I Head Gate and Replacement Parts

