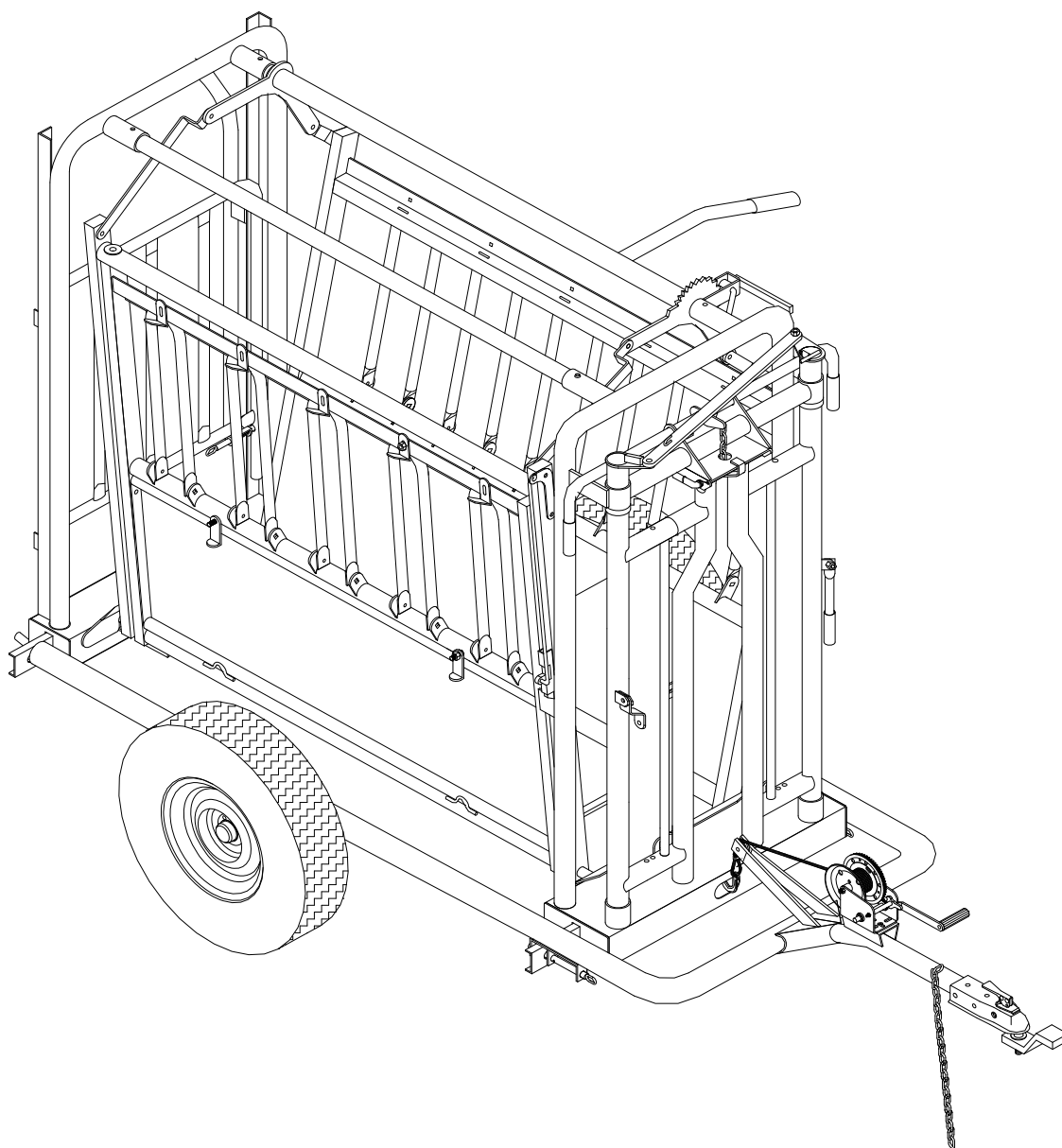


VALUE CHUTE TRAILER MOUNTING AND DISMOUNTING

INSTRUCTIONS

#004-50000



POWDER RIVER

• LIVESTOCK HANDLING EQUIPMENT •

www.powderriver.com

1-800-453-5318

NOTE: Value Chute Trailer is used only with the Value Chute I and II.

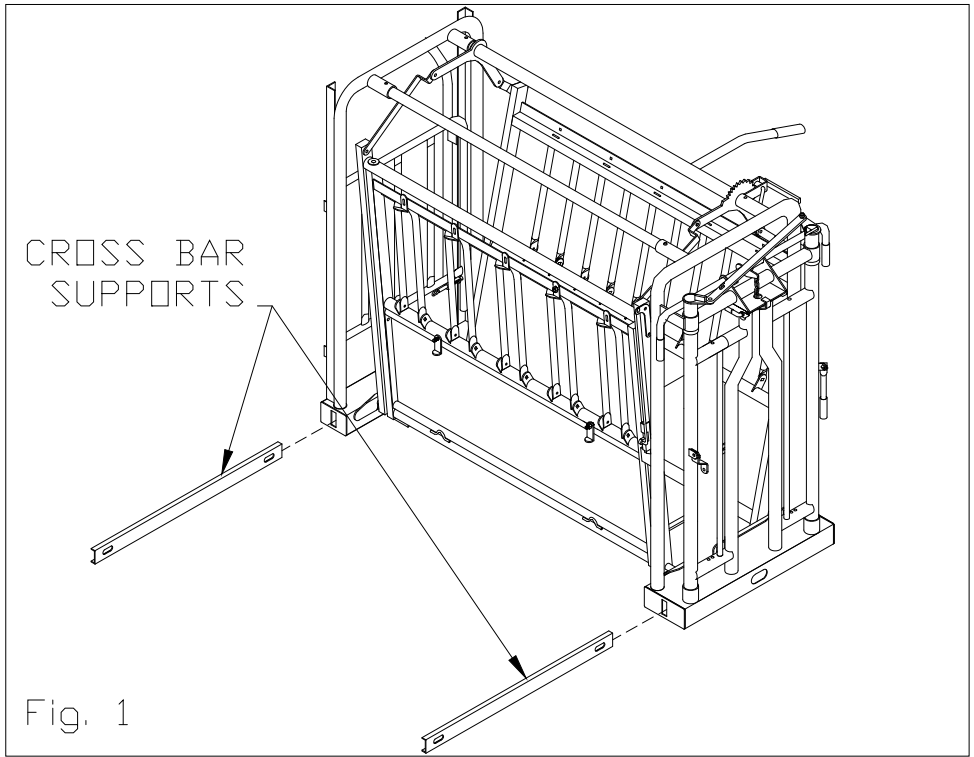
STEP 1:

Remove the two trailer Cross Bar Supports and slide them into the side holes on the front and back of the Chute and open the head gate on the chute, as shown in figure 1.



CAUTION!

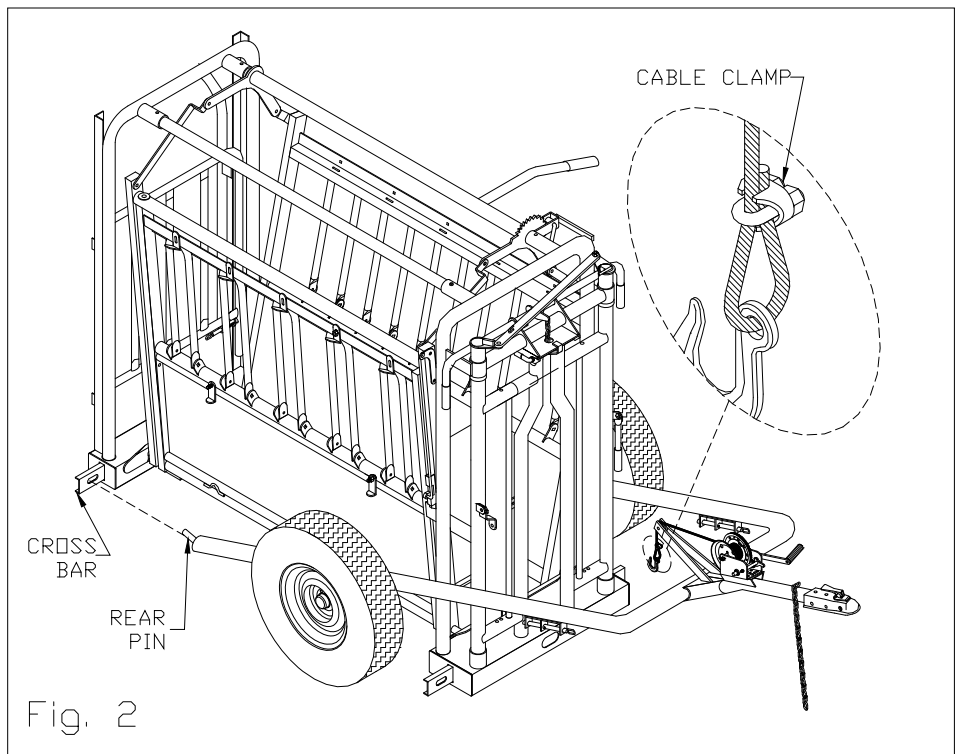
Before continuing always check to ensure that the Cable Clamp (shown in figure 2) and the winch handle are securely tightened. Any looseness may cause slipping.



STEP 2:

Using figure 2 as reference, tilt the front end of the trailer up and guide it back until the rear pins are completely through the holes on the Cross Bar on both sides.

NOTE: 15" rims are included with each trailer, tires are not. Use standard size tires to prevent any clearance problems.

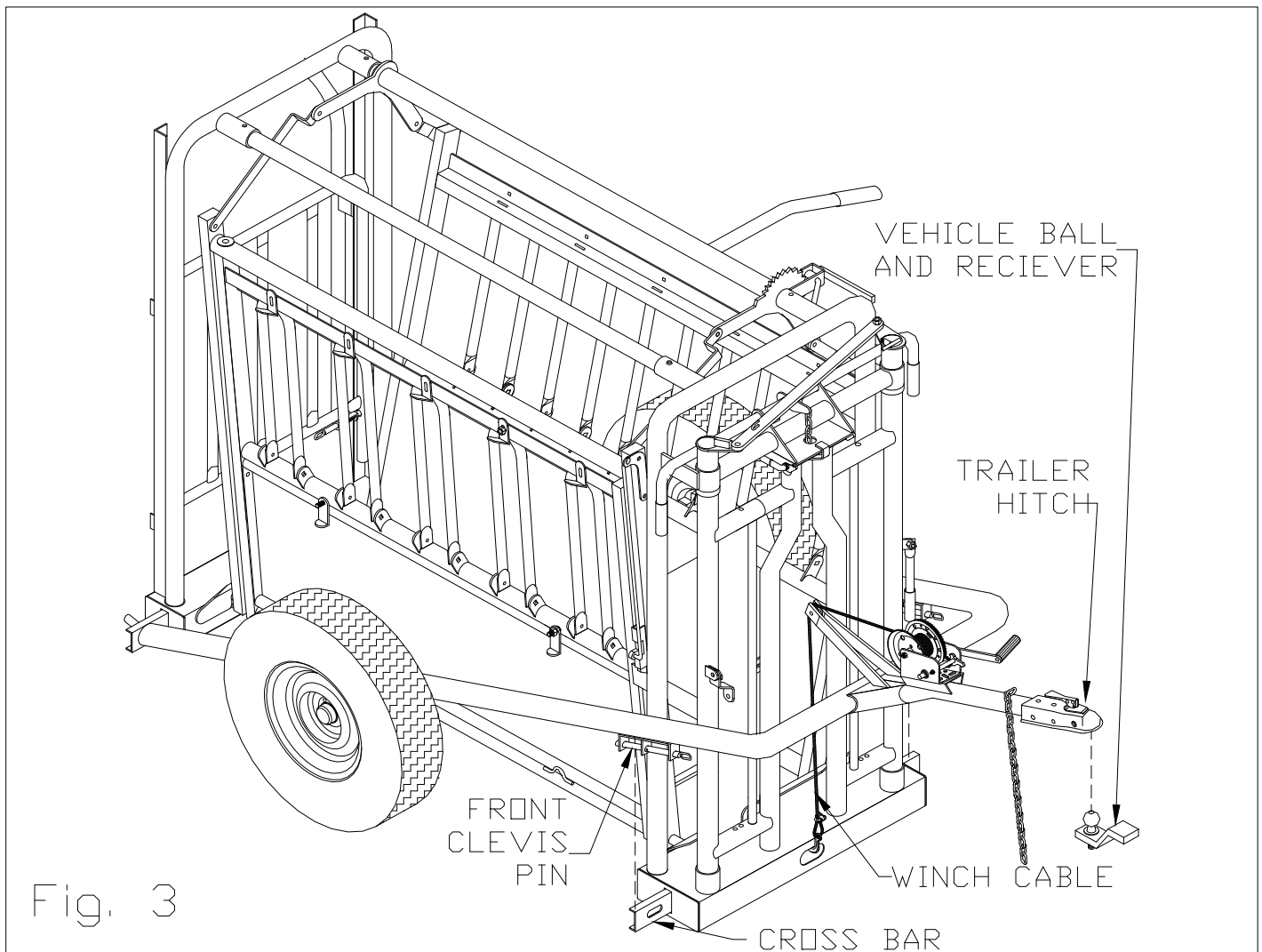


STEP 3:

Back your vehicle up so that the 2" ball on your receiver and the trailer hitch are aligned.

Place the Winch Cable Hook into the hole on the front of the Chute and begin turning the handle to lift the Chute. At first the front of the trailer will lower until you can hook it on the vehicle's receiver. Make sure that it is properly secured to the receiver. Then pull the two front Clevis Pins on each side of the trailer out of the way. Continue to raise the Chute until it is completely raised and the two Clevis Pins are able to slide through the holes on each side of the front Cross Bar. Secure the Clevis Pins by inserting the hairpin through them.

After the chute and the trailer are secure, let all the tension off the winch cable.



STEP 4:

To unload the value chute, tighten the winch cable until it is holding all of the Chute's weight. Slide the two Clevis Pins out of the way and begin to lower the front end of the Chute until it is firmly on the ground. **⚠ DO NOT REMOVE THE WINCH CABLE FROM THE CHUTE!** With the winch cable tight on the Chute, release the trailer hitch from the vehicle receiver. Then continue to lower the back end of the chute until it is on the ground, and there is enough slack in the winch cable to remove it. Wind the cable back up into the winch.

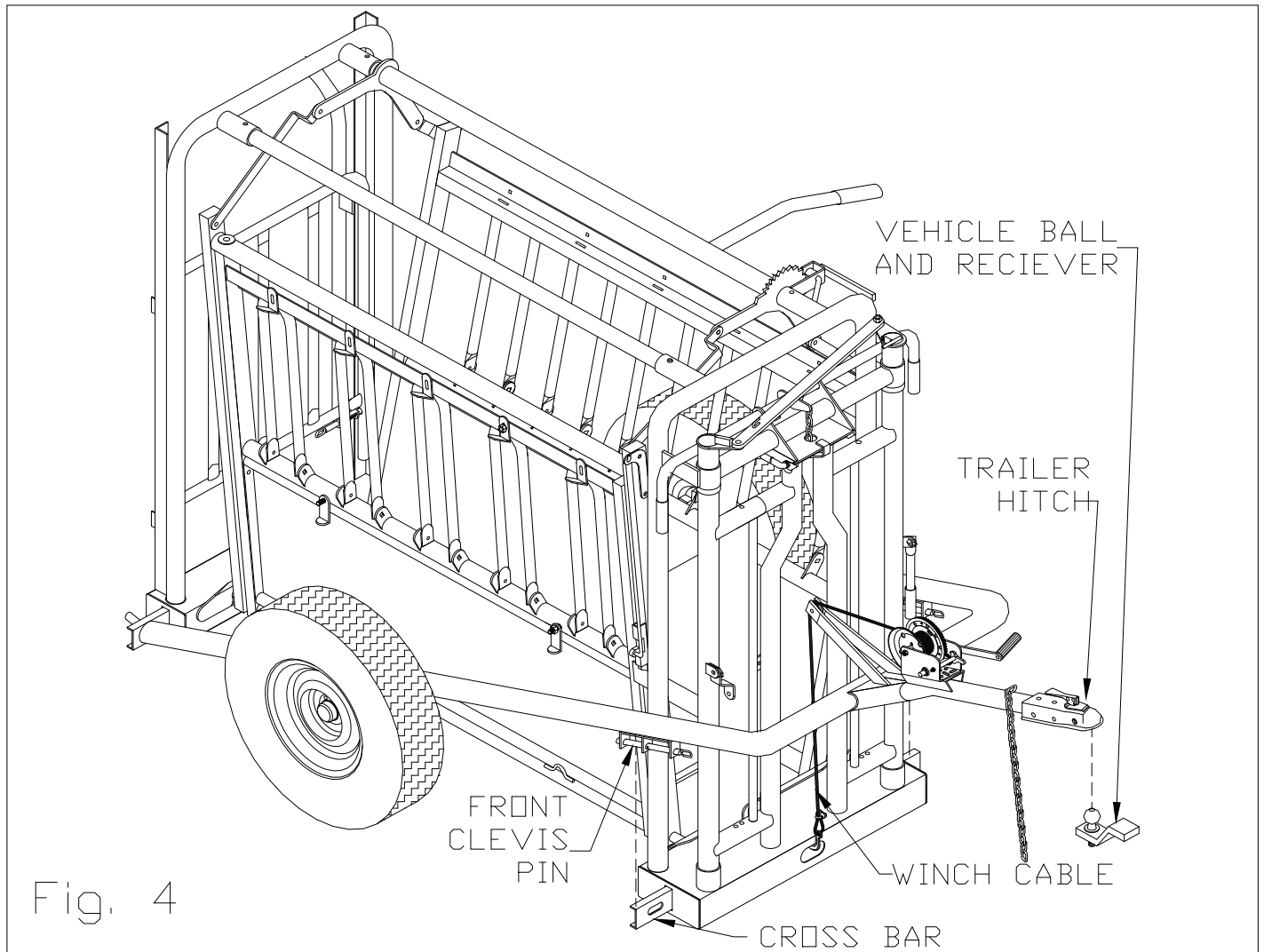
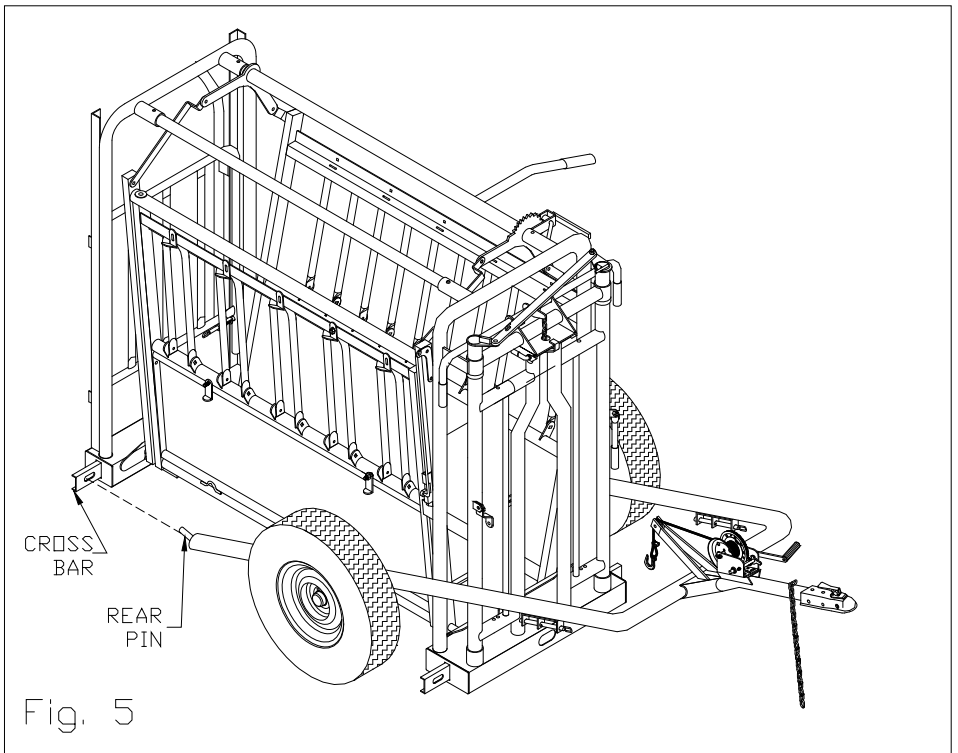


Fig. 4

STEP 5:

Pull the rear trailer pins out of the rear Cross Bar and move the trailer out of the way, as shown in figure 5.



STEP 6:

Remove the front and rear Cross Bars, as shown in figure 6.

Place them on the front clevis pins, on the trailer.

