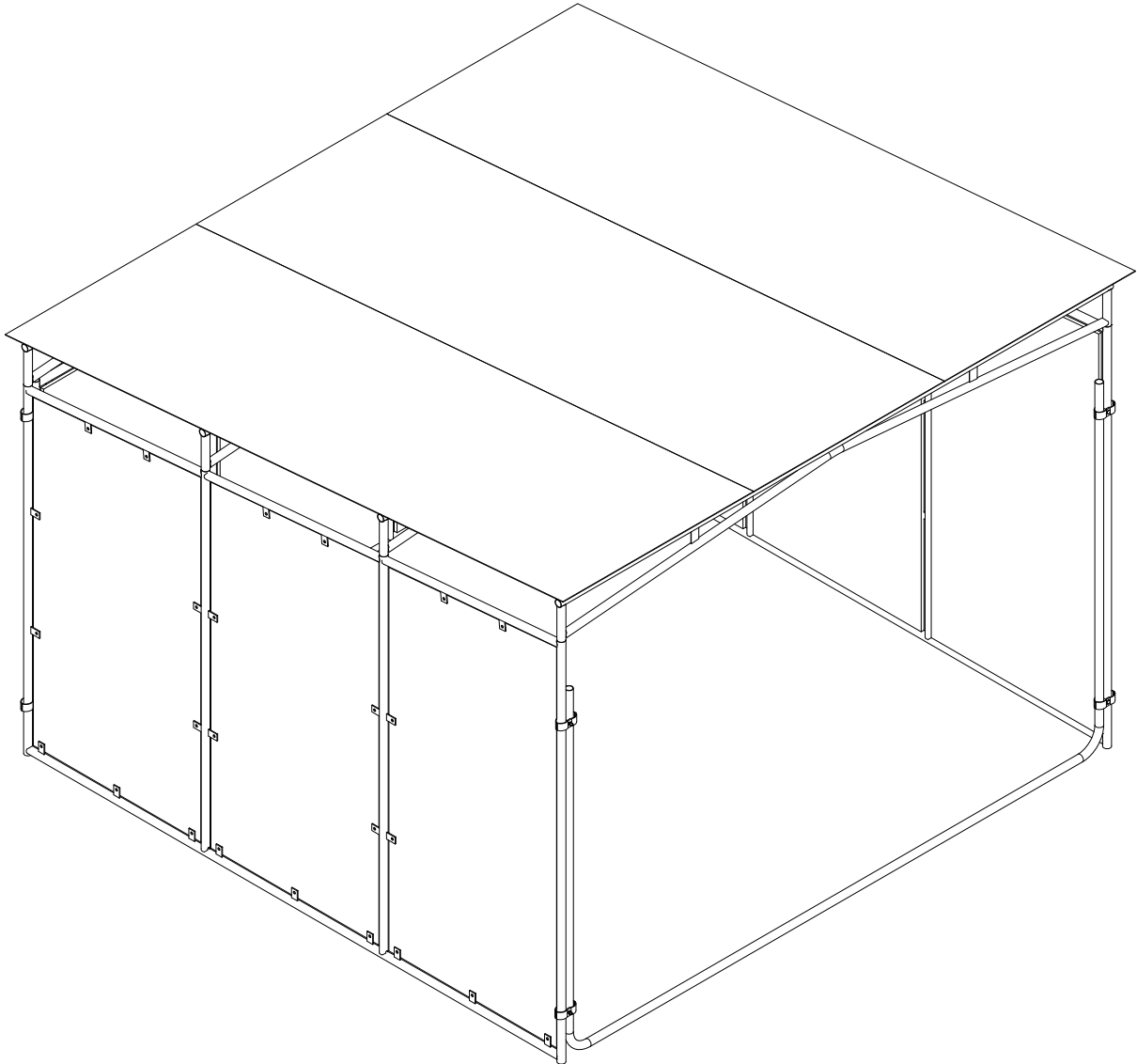


**VALUE SHELTER**  
ASSEMBLY INSTRUCTIONS  
#055-30000



**POWDER RIVER**

• LIVESTOCK HANDLING EQUIPMENT •

[www.powderriver.com](http://www.powderriver.com) 1.800.453.5318

10/05

## Step 1:

Cut plywood (not included) to recommended length shown below. This will create a  $\frac{1}{2}$ " gap around all edges (best fit). You may change plywood size at your discretion. Be aware that clamps require *at least* a  $\frac{1}{4}$ " gap to fit correctly. You need two of each piece for the side panels, and one of each piece for the back panel.

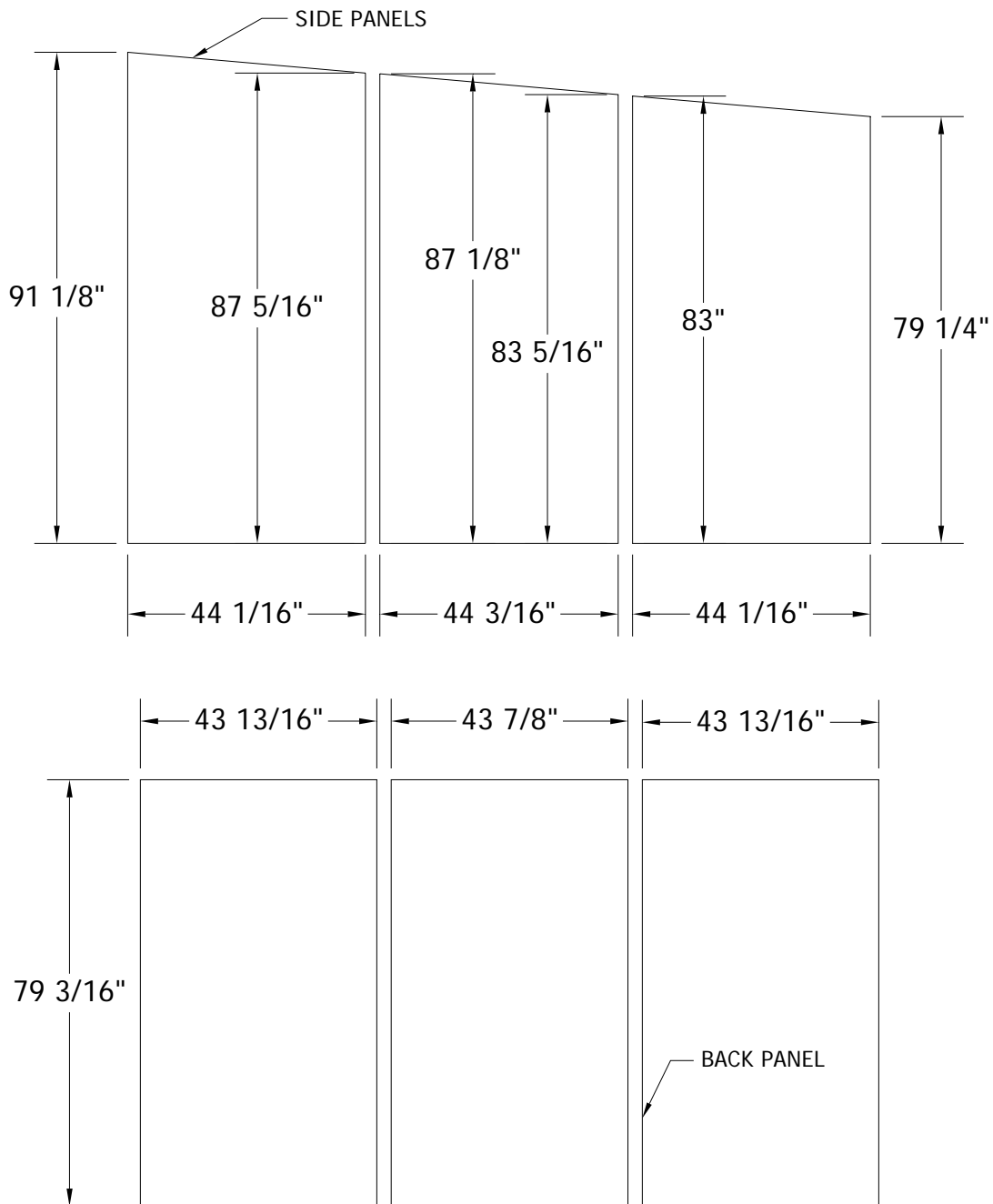
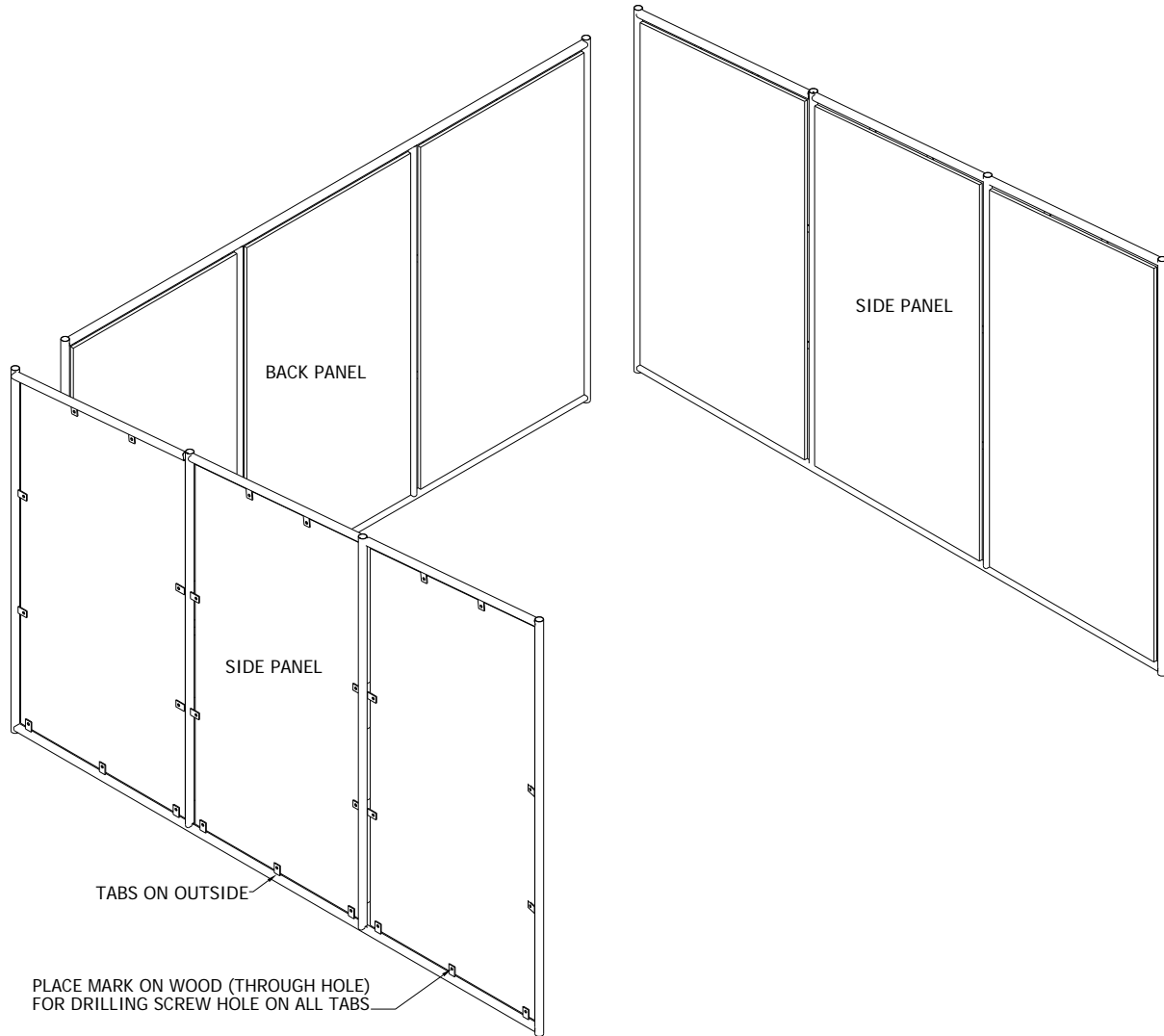


FIGURE 1

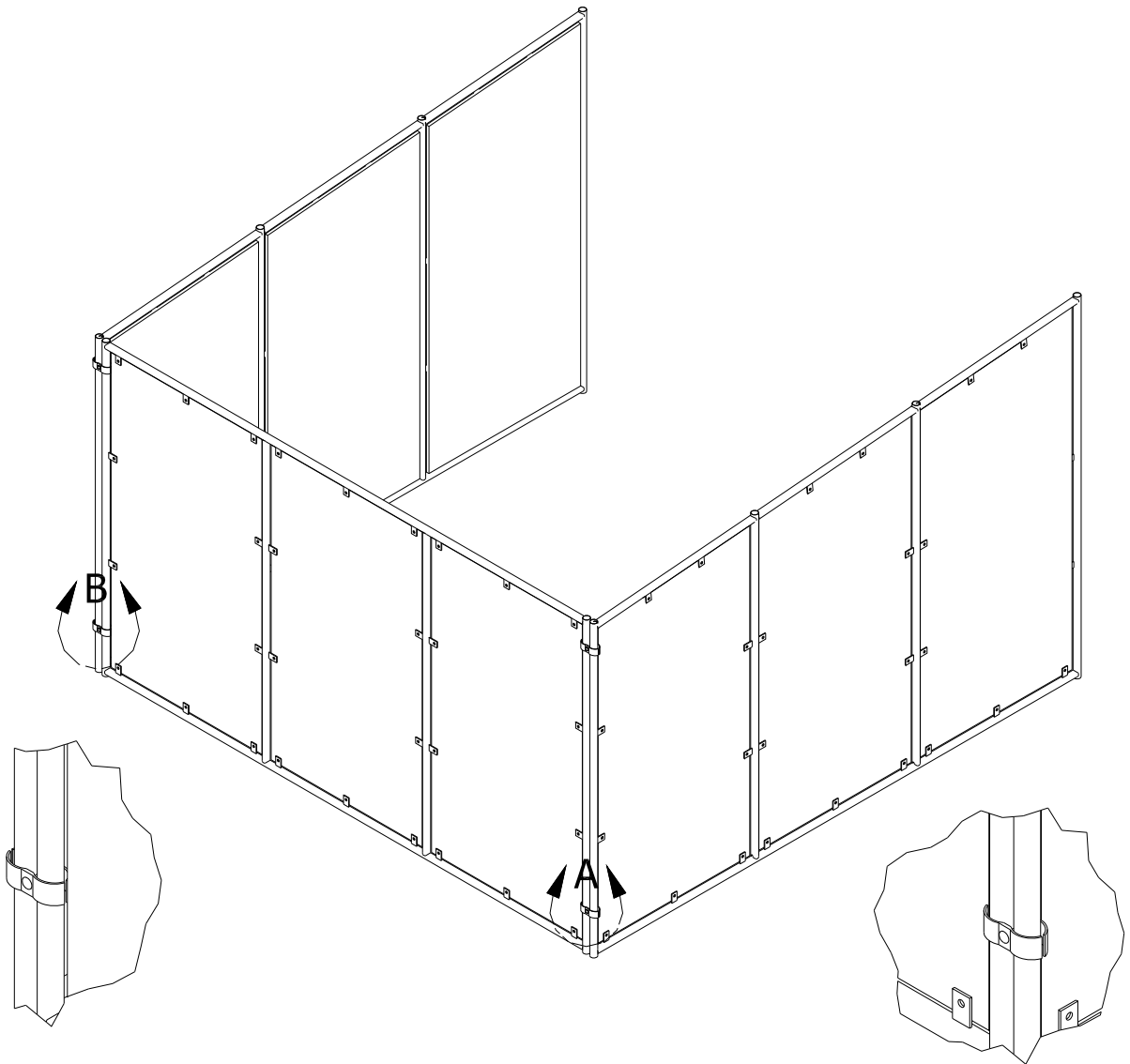
## Step 2:

Place plywood on the side and back panels. For each clip, mark a drill hole on plywood. Drill holes. Connect plywood to frame, with the clips being visible on the inside. Make sure that nuts are on the outside of the shelter to prevent injury to the animal.



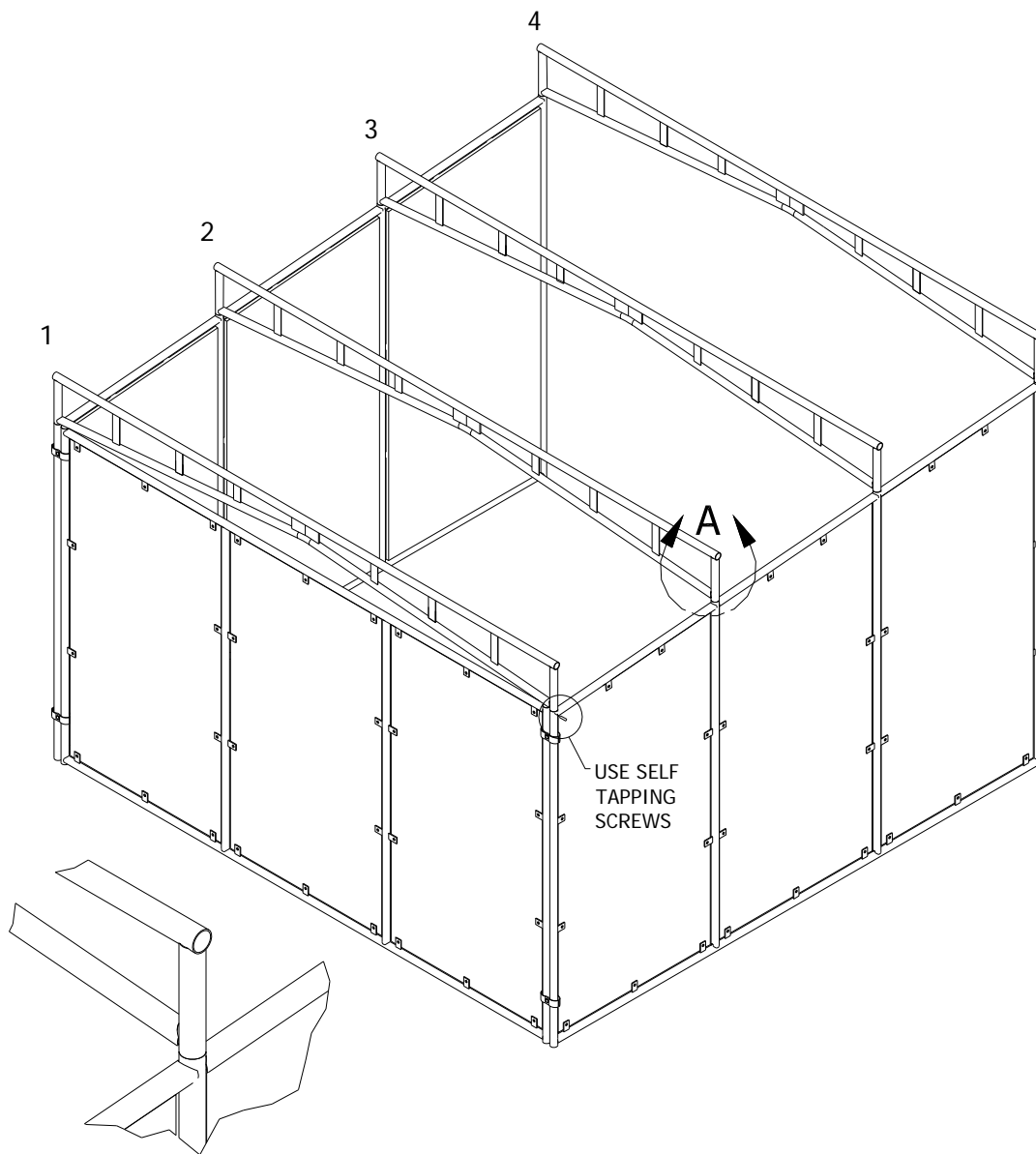
### STEP 3:

Place four butterfly clamps as shown above. Place one half of the clamp on the outside and the other half on the inside. Place bolt through both parts and place nut. Tighten until sturdy. Be sure that the clamps are lined up exactly as shown, with the side panels on the outside edge of the back panel. This step will require *at least* two people.



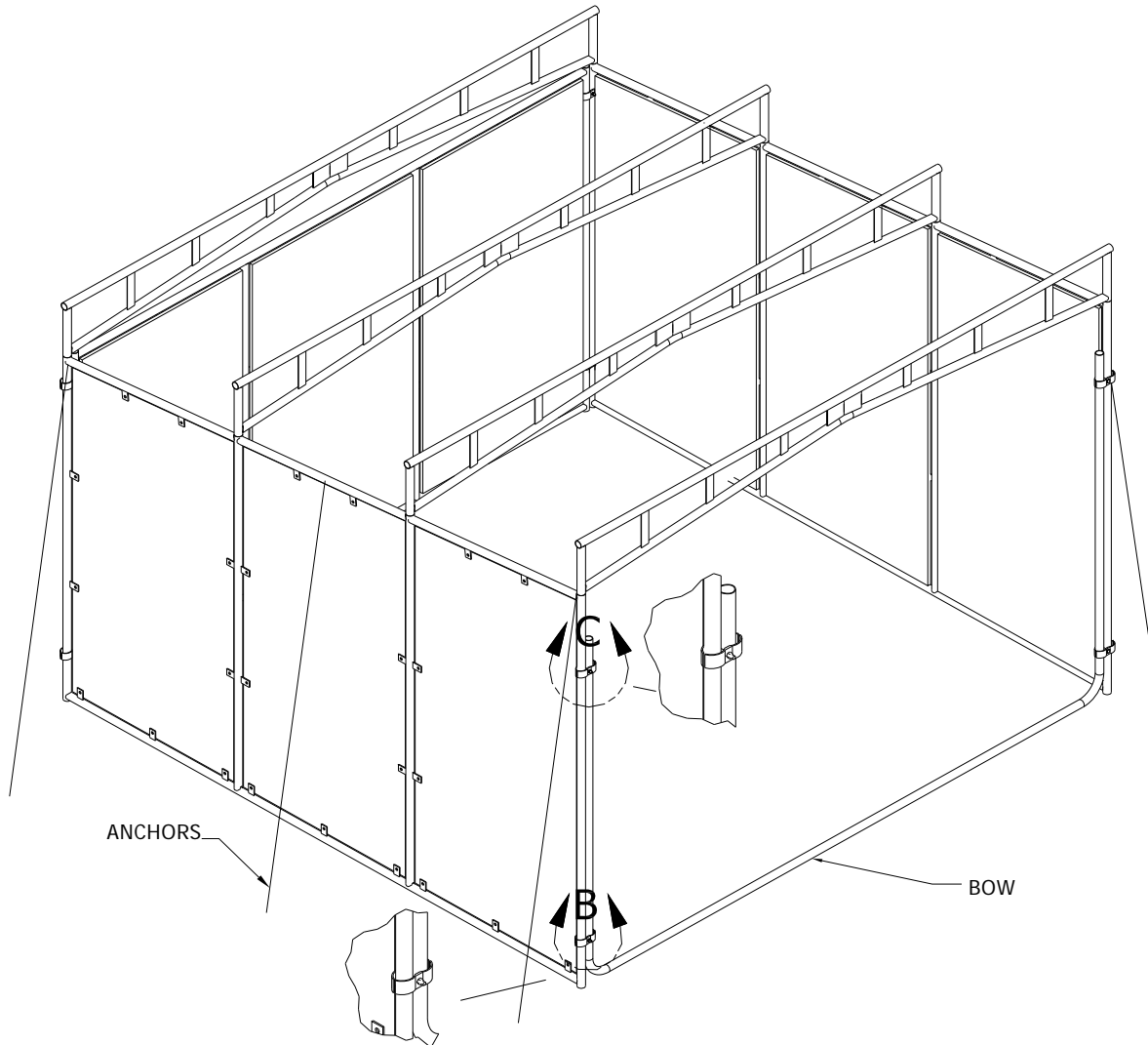
## Step 4:

Place trusses in the order shown above. Line up truss with tubes and gently tap until truss is partially in place inside of tube. Adjust side panels as needed to line the truss up on the opposite end, and gently tap that end until in place. Tap truss until it is fully set and in place on both ends. This step requires *at least two* people. Also, use self-tapping screws to secure trusses to the frame as shown below.



### Step 5:

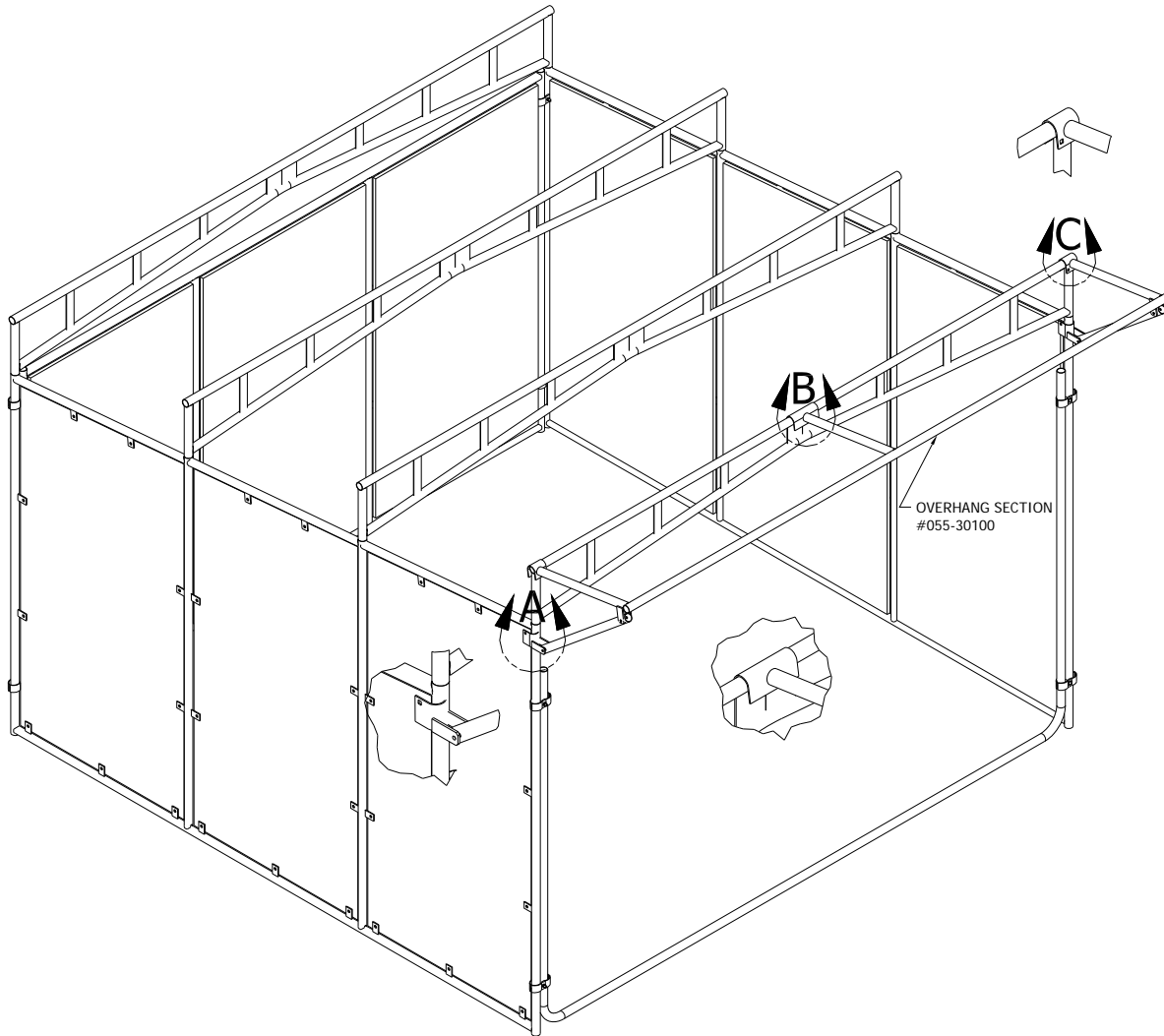
Place bow and clamp to side panels, just as done in step 3. Be sure that nut is on outside of shelter, to ensure the safety of the animal. Place anchors on sides to secure value shelter to ground in case of high winds.



- \* Shelter max wind capacity = 70mph
- \* Shelter max load capacity = 30 lb/ft<sup>2</sup>

## Options:

You may add the overhang section to you shelter. Secure using bolts.



# Options:

You may connect two shelters together with the add-on shelter. As for the overhang, you can buy either a left-hand add-on, or a right-hand add-on.

