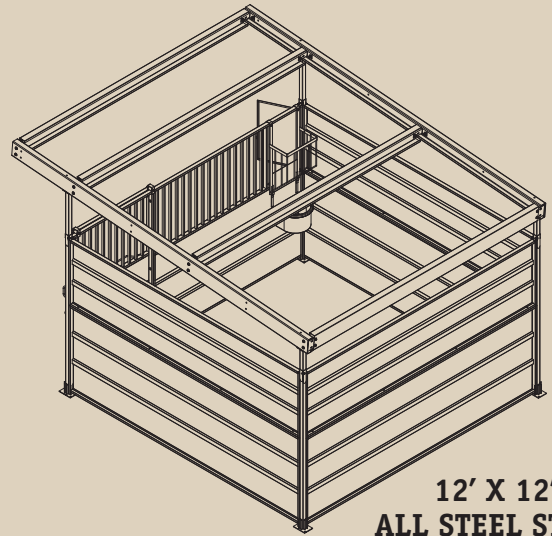


# HORSE WORKING SYSTEMS

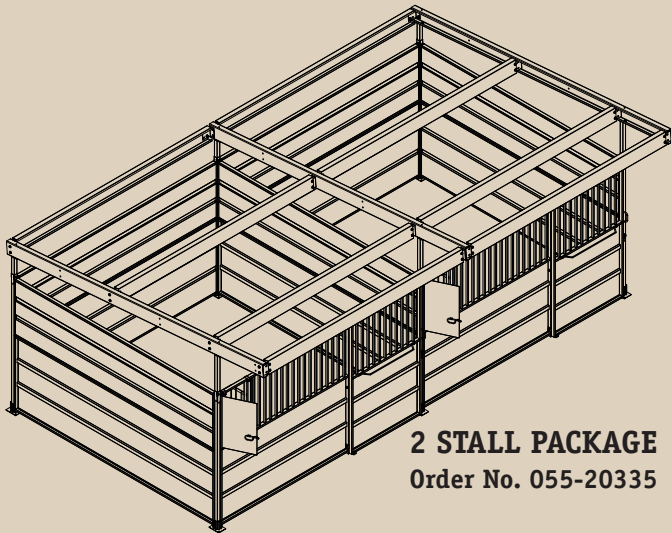
Call 1-800-453-5318 Now  
to let us assist you with your own specific design.



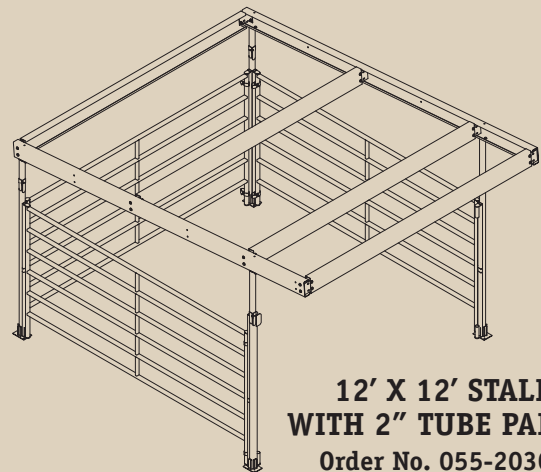
**2 STALL BREEZEWAY**  
Order No. 055-20032



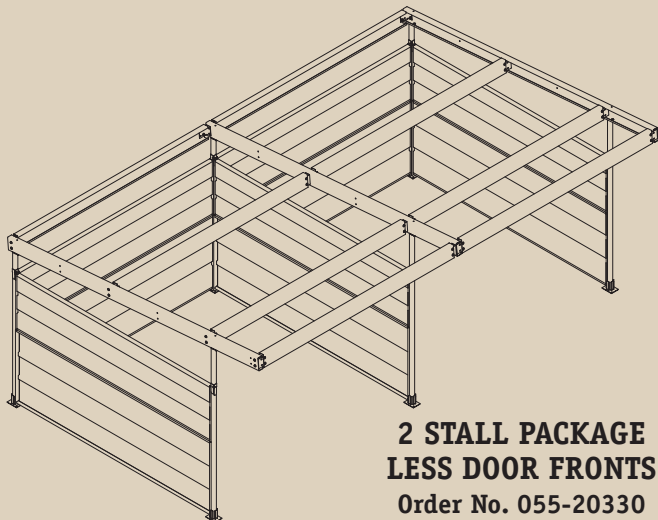
**12' X 12'**  
**ALL STEEL STALL**  
Order No. 055-20022



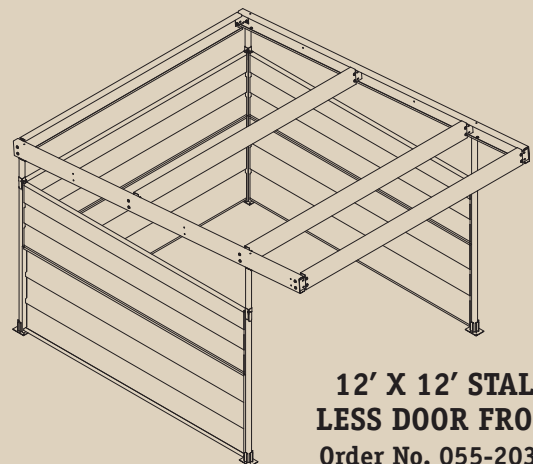
**2 STALL PACKAGE**  
Order No. 055-20335



**12' X 12' STALL**  
**WITH 2" TUBE PANELS**  
Order No. 055-20300



**2 STALL PACKAGE**  
**LESS DOOR FRONTS**  
Order No. 055-20330



**12' X 12' STALL**  
**LESS DOOR FRONT**  
Order No. 055-20310