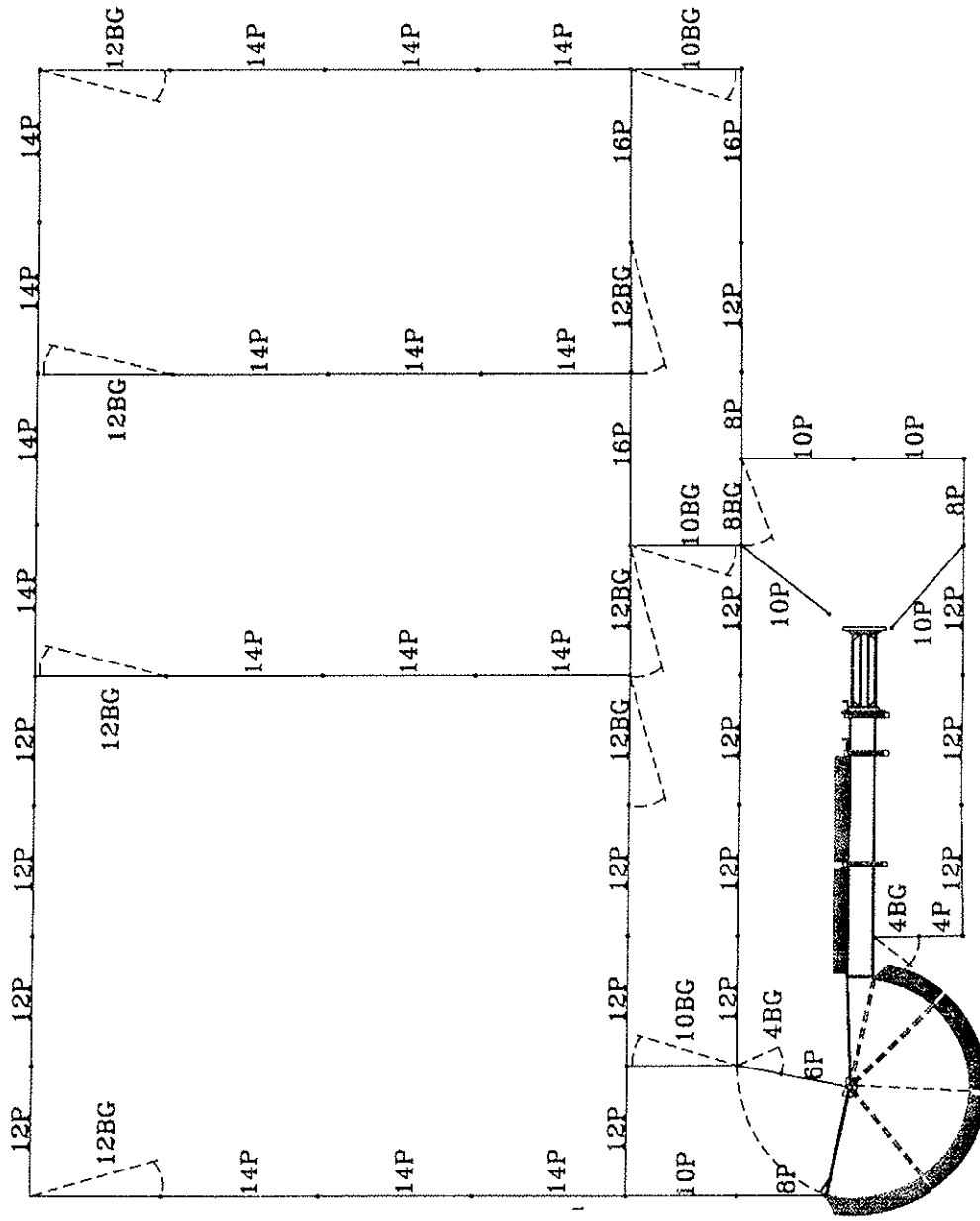




CORRAL PLAN 2



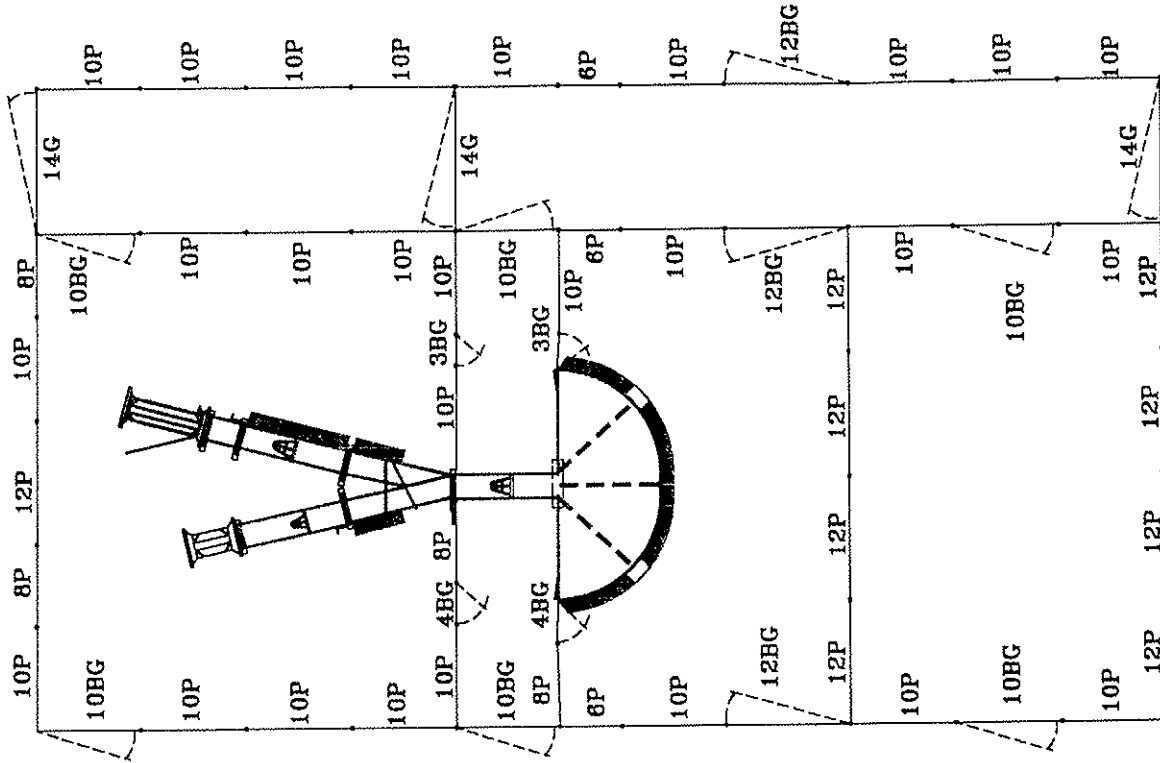
MATERIAL LIST

- |        |                |           |                                  |
|--------|----------------|-----------|----------------------------------|
| 3-16'  | H.D. Panels    | 1-8'      | H.D. Bow Gates                   |
| 16-14' | H.D. Panels    | 2-4'      | H.D. Bow Gates                   |
| 15-12' | H.D. Panels    | 1-S2K 30' | Classic LH w/ 10' Straight Panel |
| 5-10'  | H.D. Panels    | 2-S-2000  | Straight Alley                   |
| 3-8'   | H.D. Panels    | 1-S-2000  | Preg Test Section                |
| 1-6'   | H.D. Panels    | 1-XL      | Chute R.H. Exit                  |
| 1-4'   | H.D. Panels    | 1-S-2000  | Panel Adapter                    |
| 7-12'  | H.D. Bow Gates | 1-S-2000  | 30" I.D. Bow                     |
| 3-10'  | H.D. Bow Gates | 20-       | Double Clevises                  |

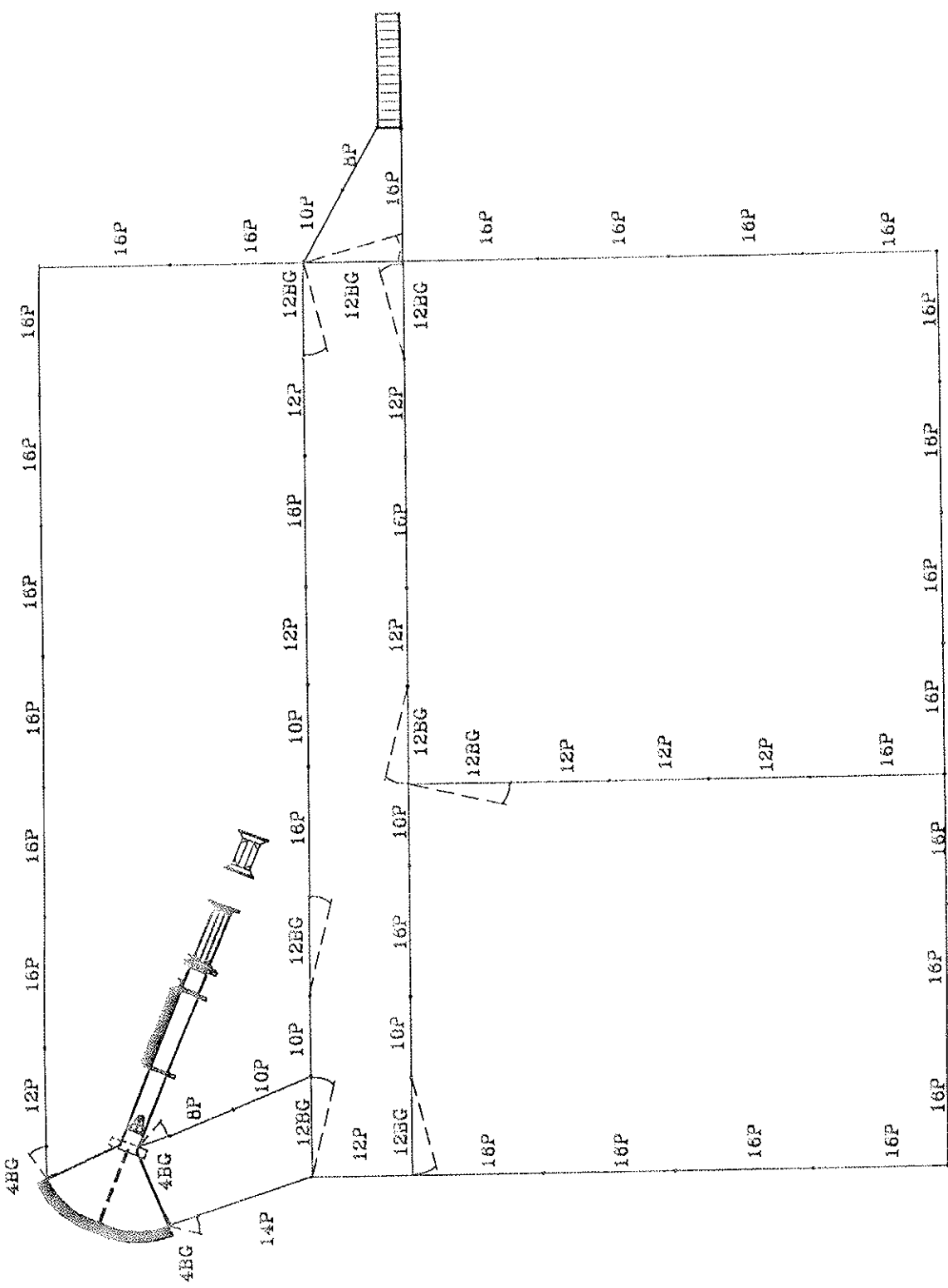
# CORRAL PLAN 3

## MATERIALS LIST

- 1-System 2000 Half Sweep (180)
- 2-S-2000 Alley Panel Srt 10'
- 1-S-2000 Alley Roll Gate
- 1-System 2000 Diversion Alley
- 1-System 2000 Srt. Alley Section
- 1-S-2000 No-Back (Over Back)
- 1-System 2000 Preg. Test Section
- 1-XL Chute LH Exit W/HDSC 99'
- 1-System 2000 10' Calf Alley
- 1-Calf Table
- 1-5' S-2000 Straight Catwalk
- 9-12' Classic Panel
- 27-10' Classic Panel
- 4-8' Classic Panel
- 3-6' Classic Panel
- 3-14' Classic Gate U/L
- 6-10' Bow Gate
- 3-12' Bow Gate
- 2-4' Bow Gate
- 2-3' Bow Gate
- 16-Double Clevises
- 16-Triple Clevises



CORRAL PLAN 4



MATERIALS LIST

- 29-16' H.D. Panels
- 1-14' H.D. Panels
- 9-12' H.D. Panels
- 6-10' H.D. Panels
- 2-8' H.D. Panels
- 3-4' H.D. Bow Gates
- 8-12' H.D. Bow Gate
- 1-Loading Ramp 14' Complete
- 1-XL R.H. Exit Chute
- 1-Call Table
- 1-System 2000 Layout #6
- 14-Double Clevises

